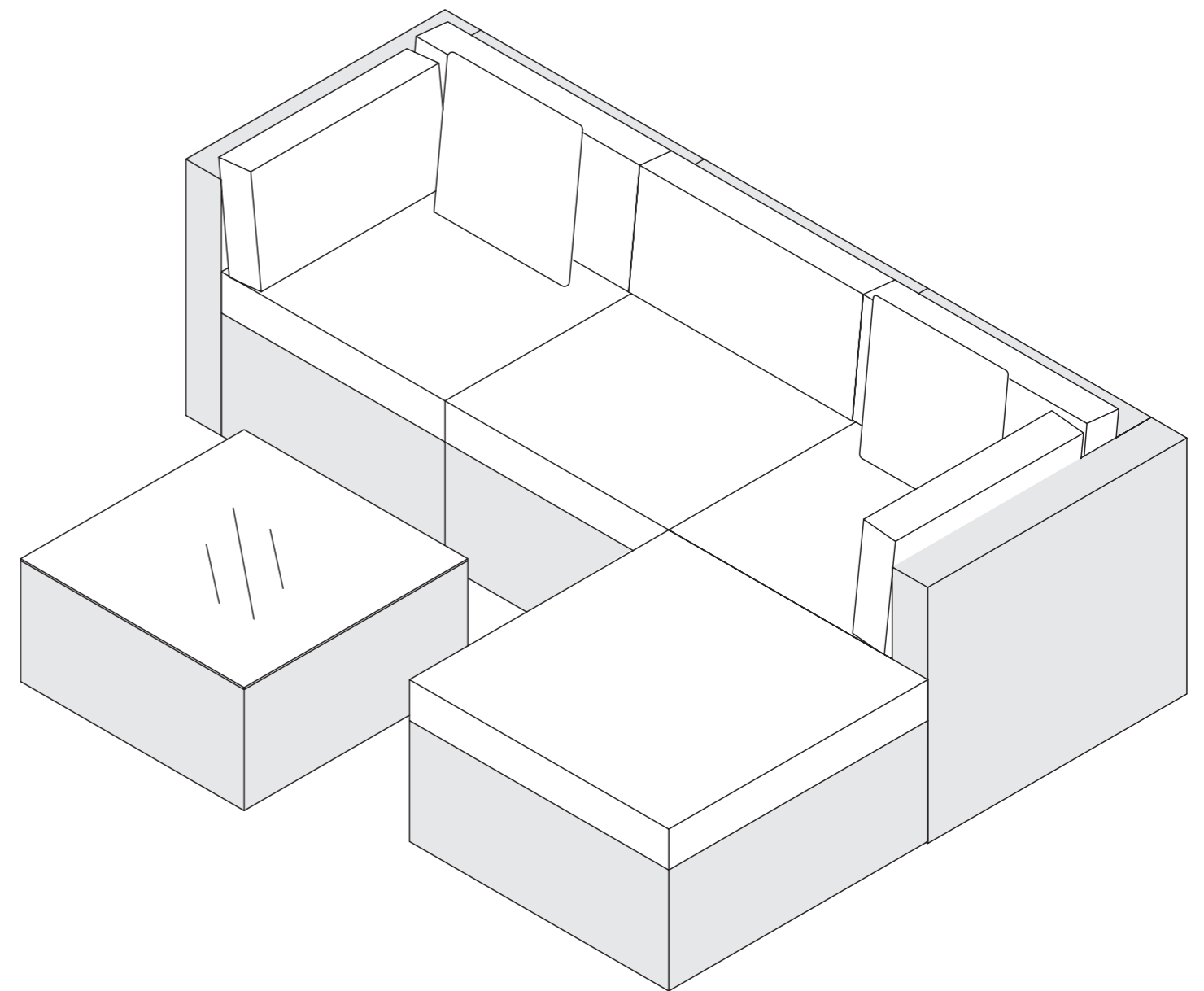


FTPLPB-K05-GY



Pure & Easy



CONTACT US:

If you have any questions regarding the installation of your YITAHOME® products, just give us a call from Monday to Friday (8:00 a.m - 5:00 p.m) at 888-717-8084 or E-mail us at: yitahome@outlook.com

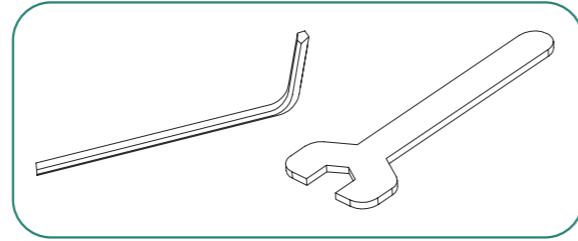
Steps for reference(amazon.com orders only)

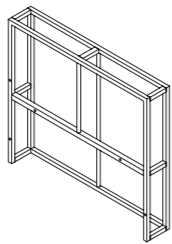
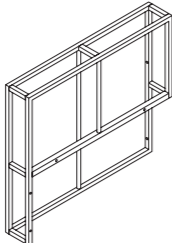
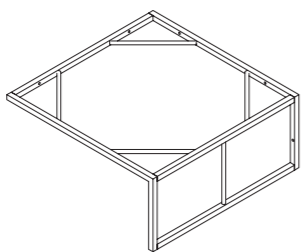
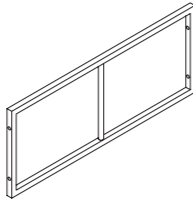
- 1.Log into your amazon account.
- 2.Go to your orders and find the purchase.
- 3.Click "Contact Seller".

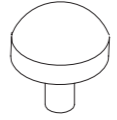
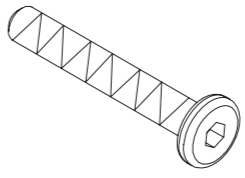
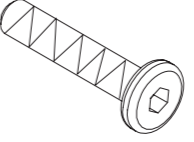
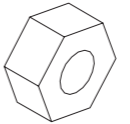

5 PIECE PATIO FURNITURE SECTIONAL SET

 Do not fully tighten screws during initial assembly. Fully tighten screws only once all pieces are correctly assembled.

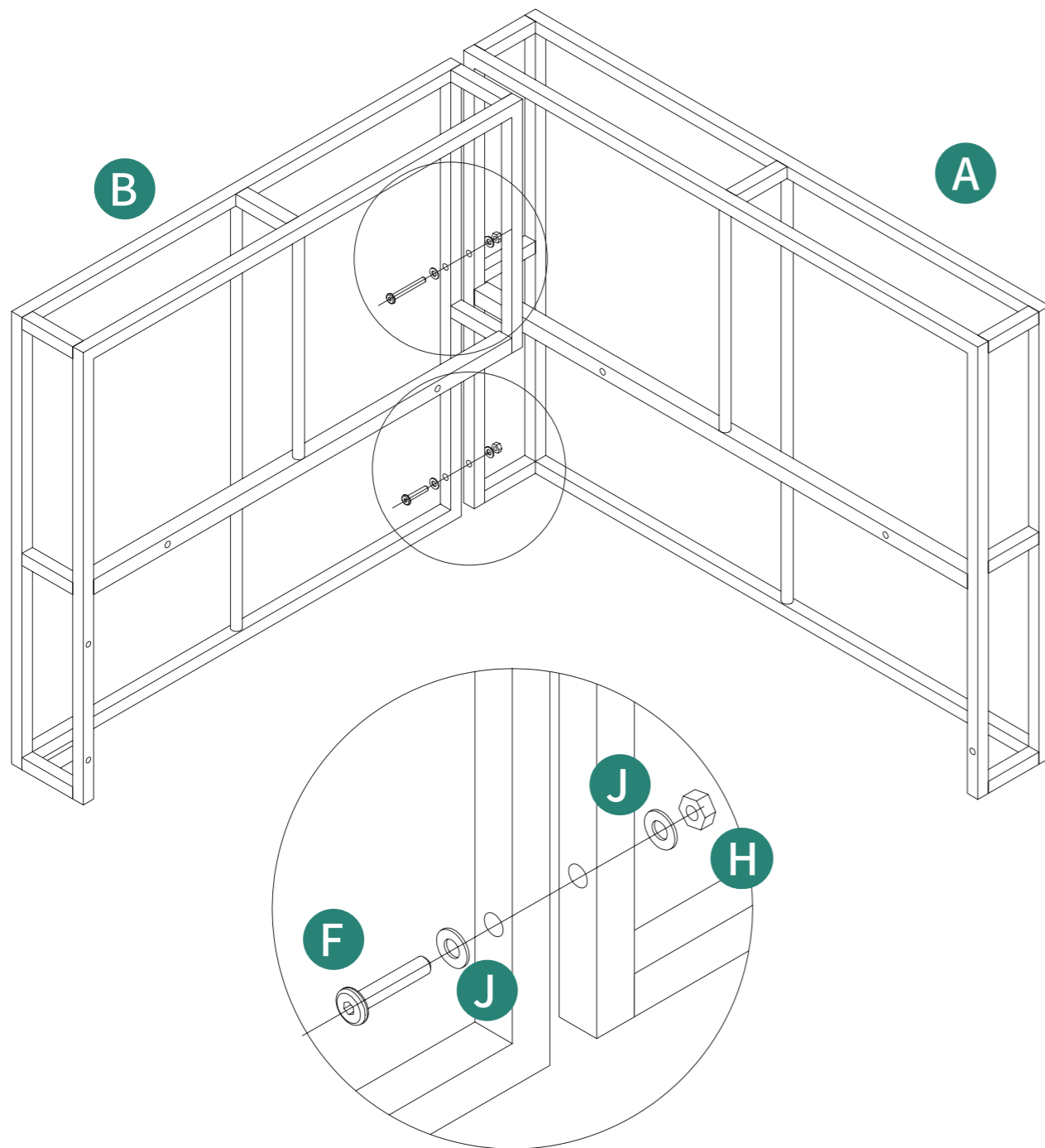
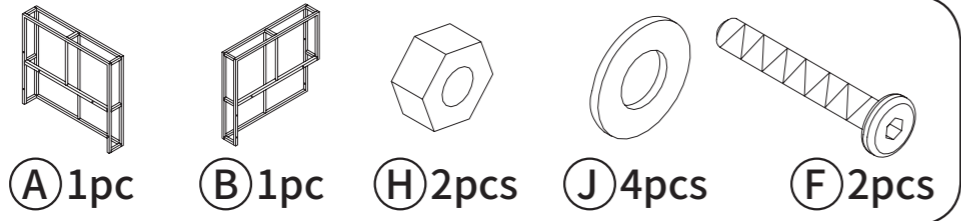
Tools Required For Assembly



| LEFT CORNER CHAIR | | | |
|-------------------|---|-------------|------|
| Item no. | Reference Image | Description | Qty. |
| A |  | Left Arm | X 1 |
| B |  | Seat Back | X 1 |
| C |  | Seat Base | X 1 |
| D |  | Side Panel | X 1 |

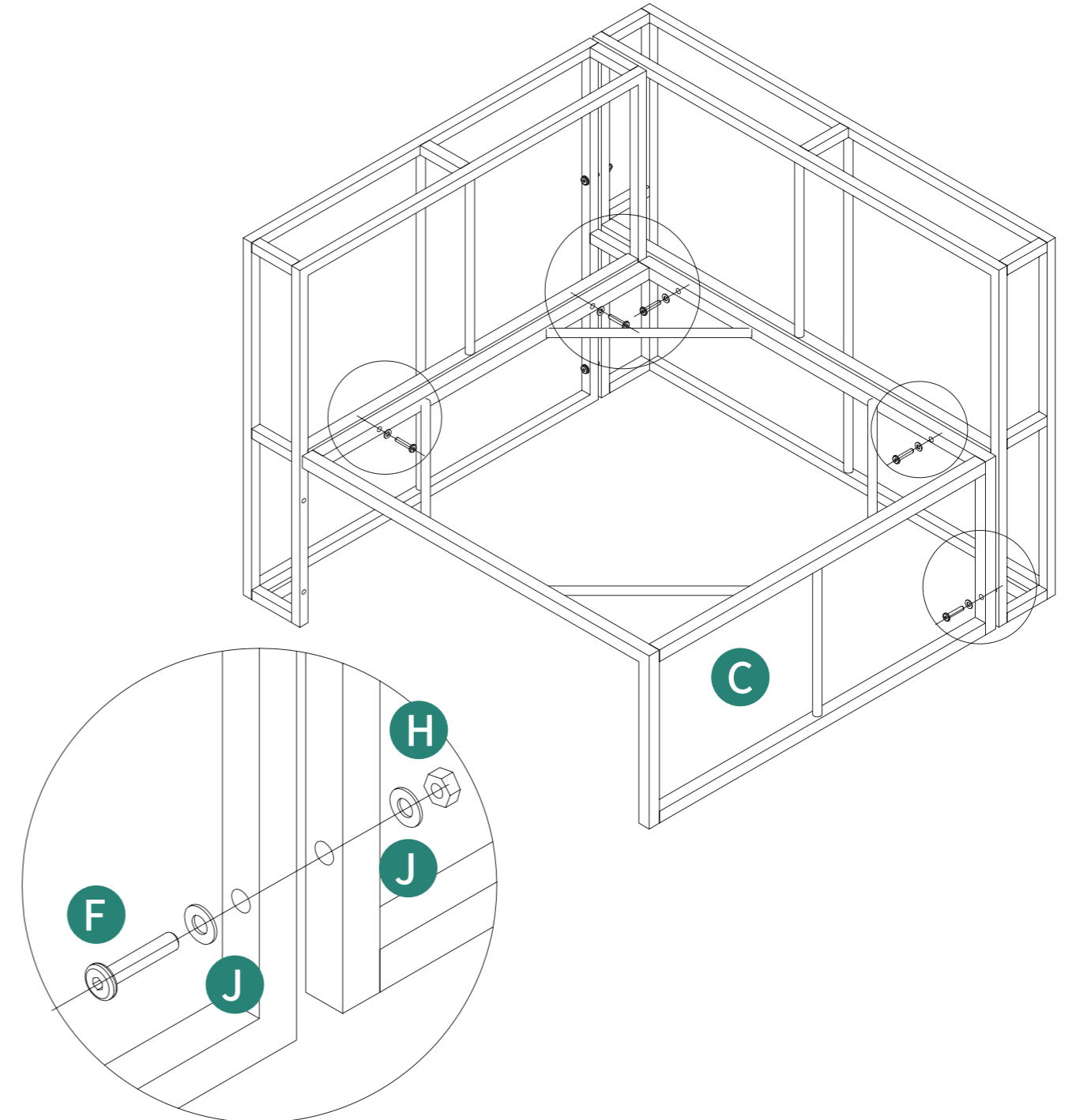
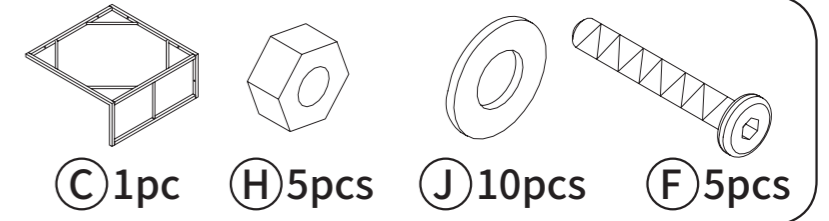
| LEFT CORNER CHAIR | | | |
|-------------------|---|---------------------------------------|------|
| Item no. | Reference Image | Description | Qty. |
| E |  | Leveling Foot | X 4 |
| F |  | M6 X 55mm Socket Head Cap Screw | X 9 |
| G |  | M6 X 35mm Socket Head Cap Screw | X 2 |
| H |  | Nut | X 9 |
| J |  | Flat Washer | X 20 |

1



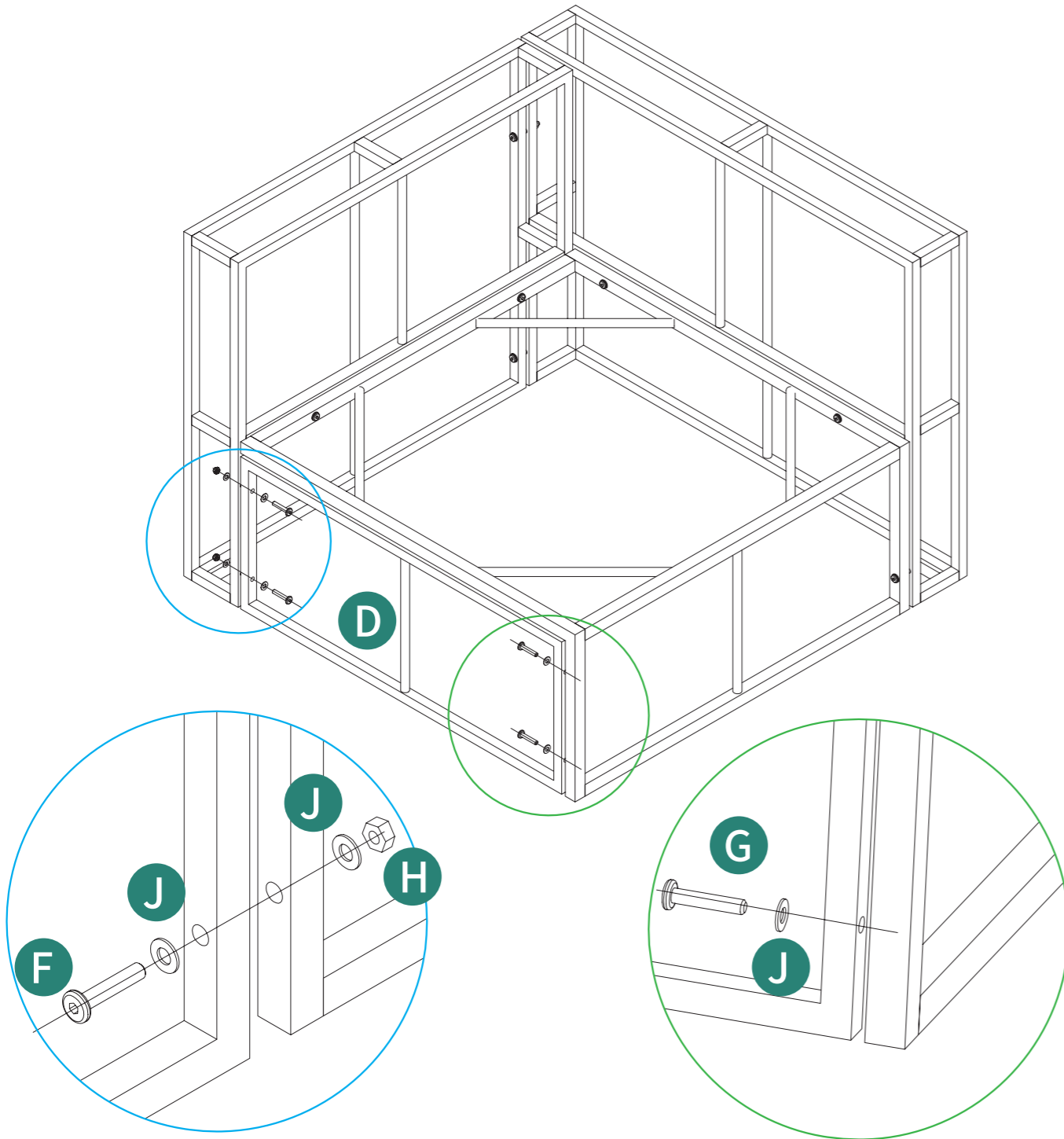
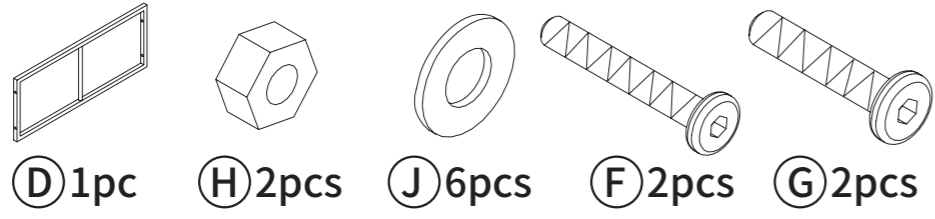
3

2



4

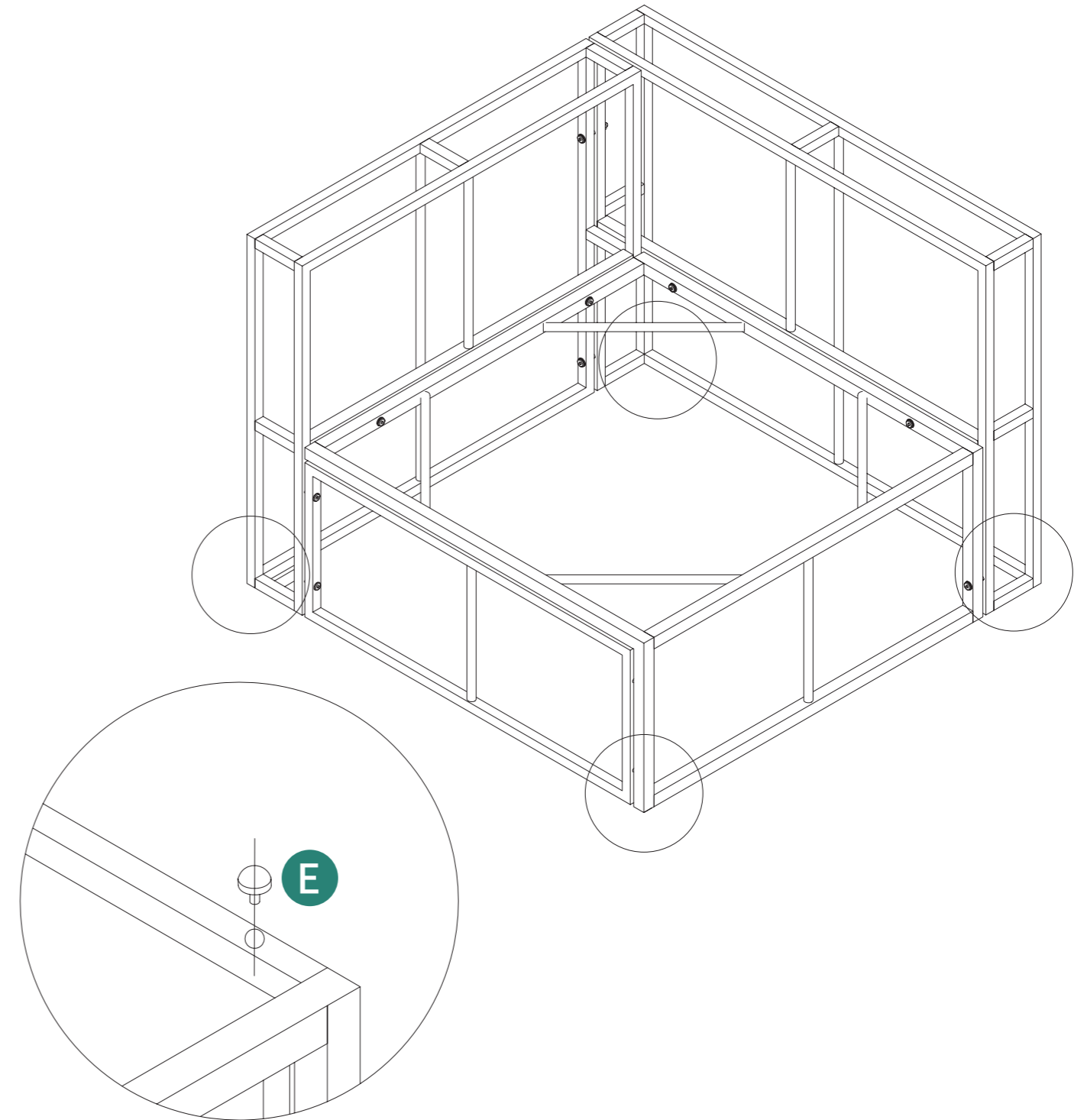
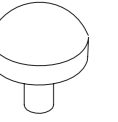
3



5

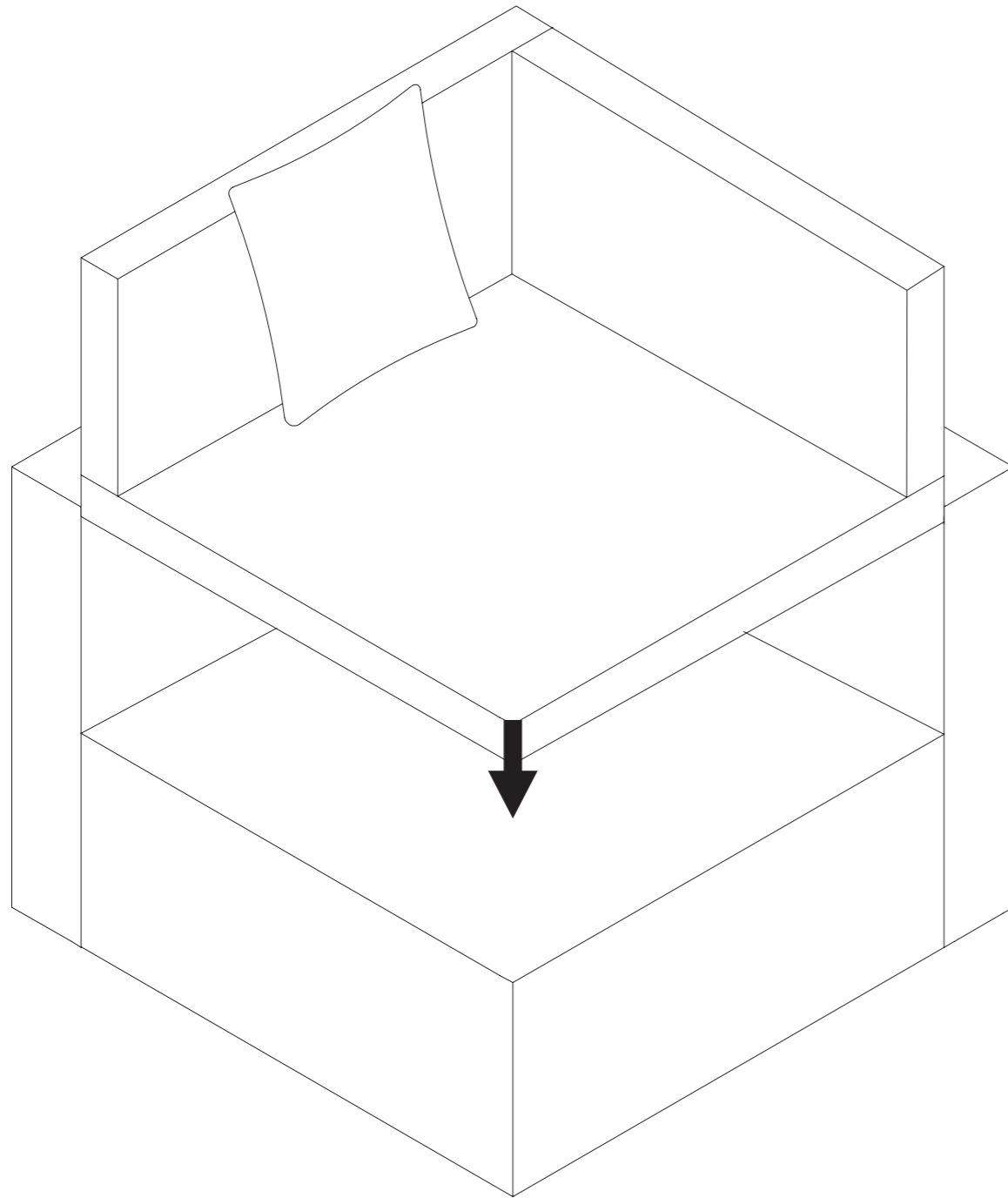
4

① E 4pcs



6

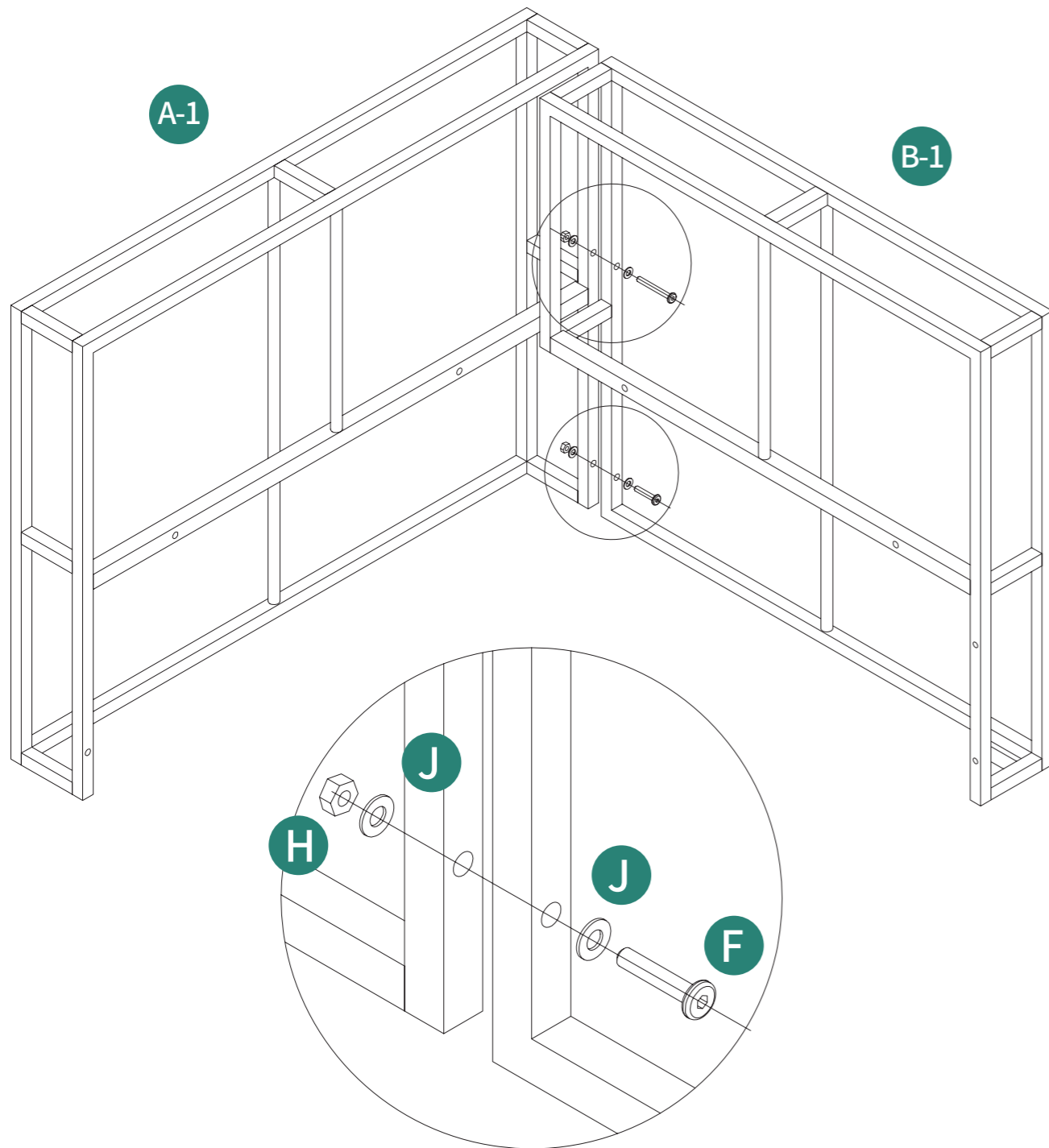
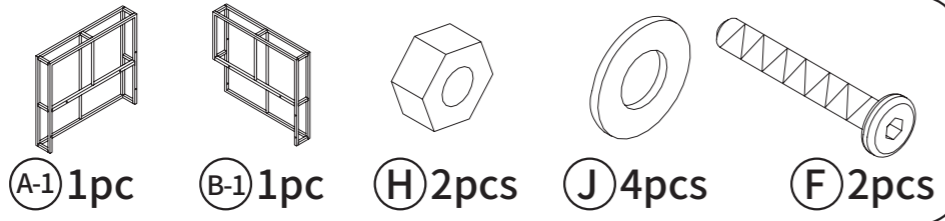
5



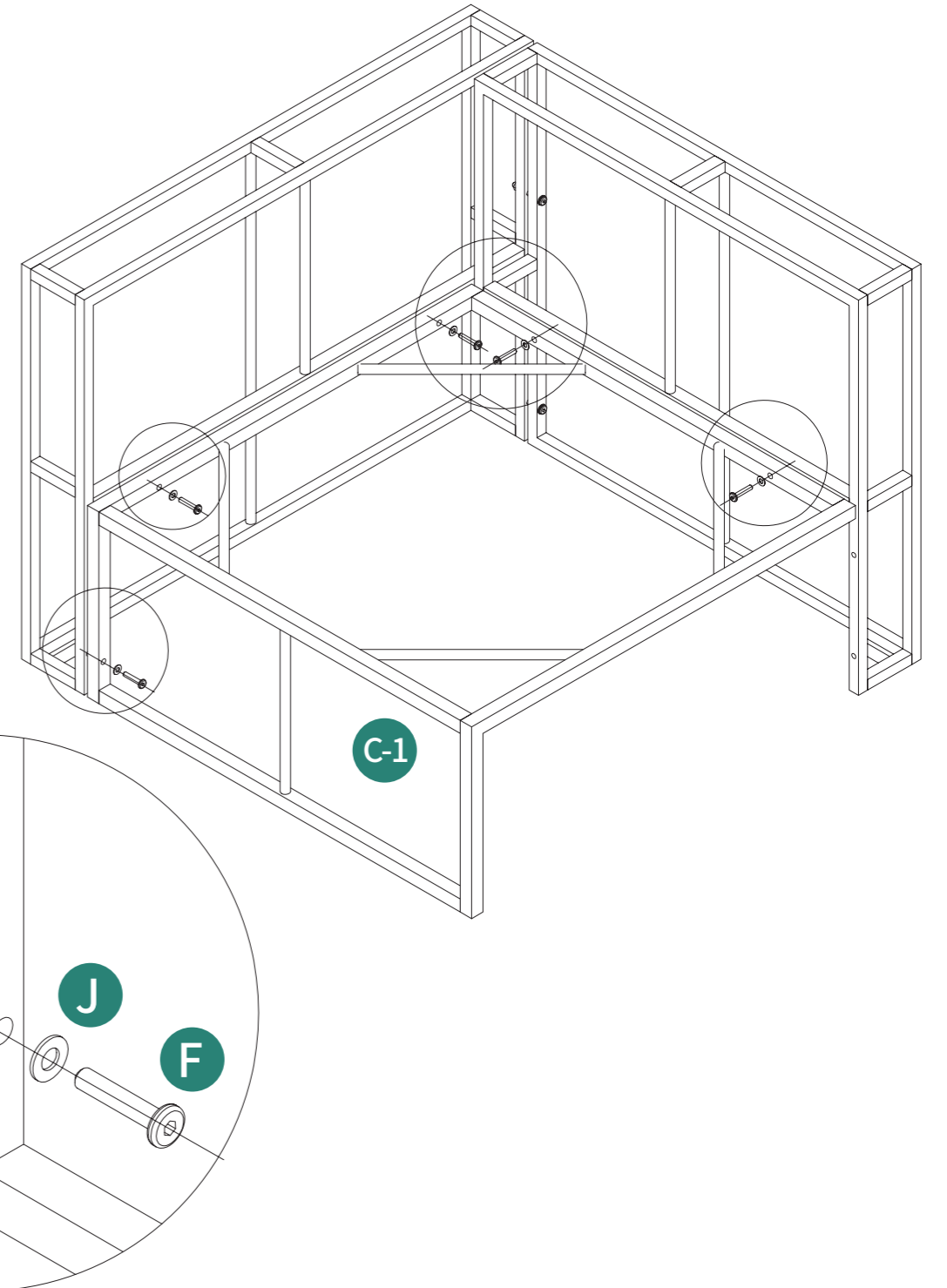
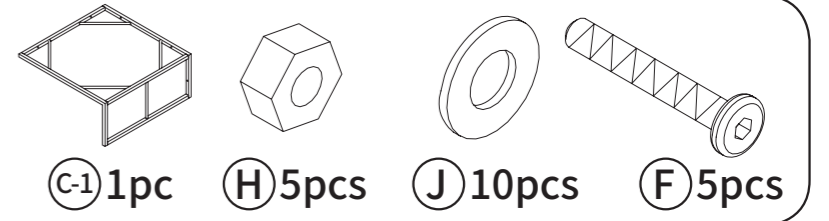
RIGHT CORNER CHAIR

| Item no. | Reference Image | Description | Qty. |
|----------|-----------------|---------------------------------------|------|
| A-1 | | Right Arm | X 1 |
| B-1 | | Seat Back | X 1 |
| C-1 | | Seat Base | X 1 |
| D-1 | | Side Panel | X 1 |
| E | | Leveling Foot | X 4 |
| F | | M6 X 55mm Socket Head Cap Screw | X 9 |
| G | | M6 x 35mm Socket Head Cap Screw | X 2 |
| H | | Nut | X 9 |
| J | | Flat Washer | X 20 |

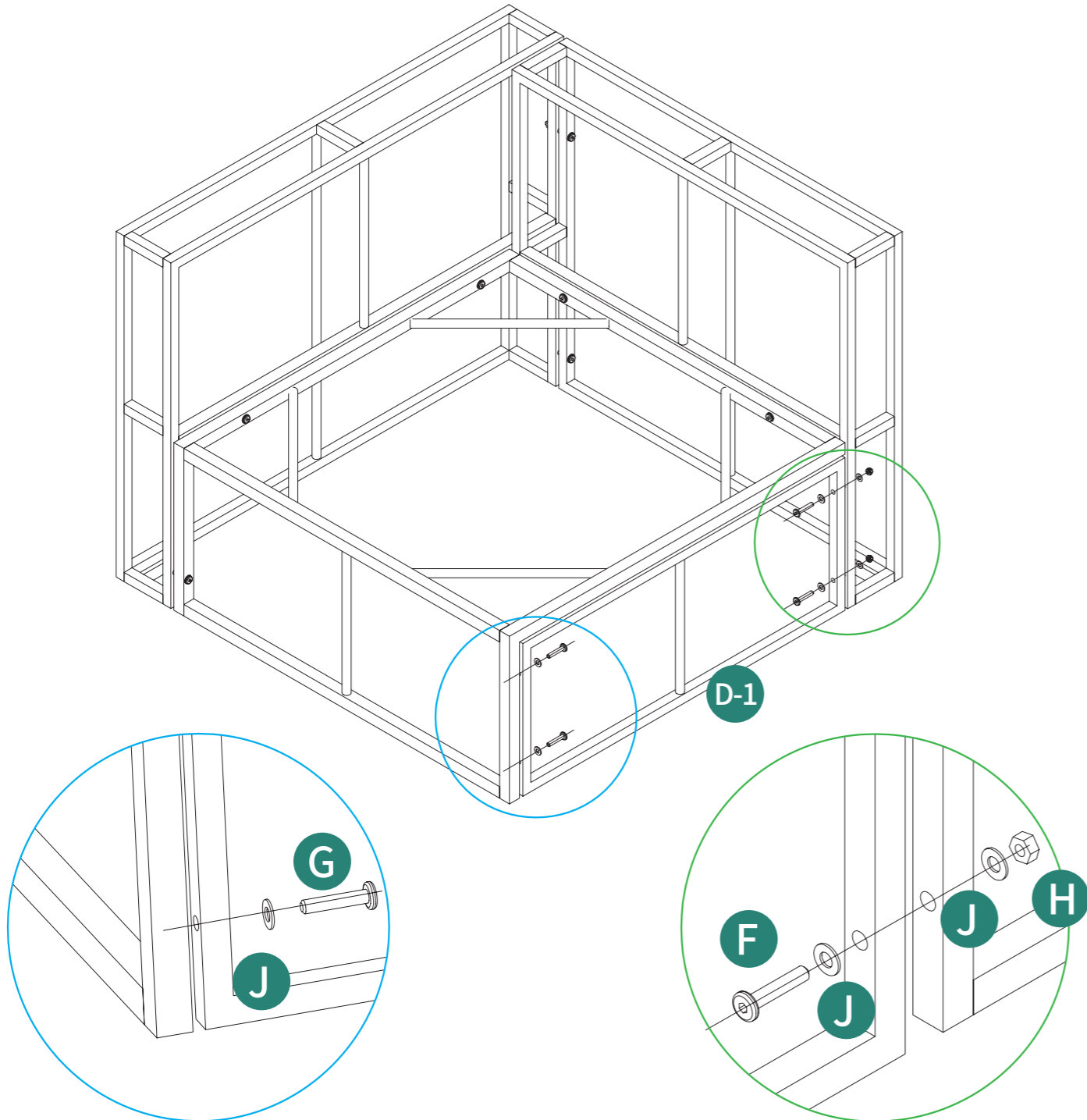
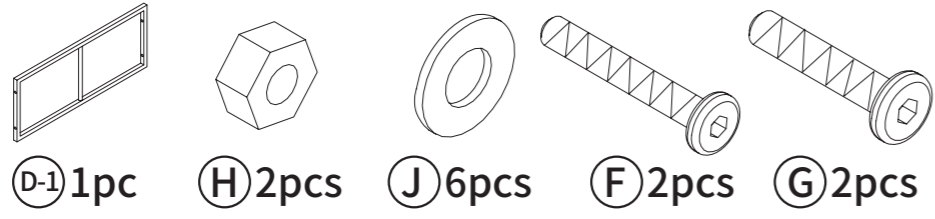
1



2

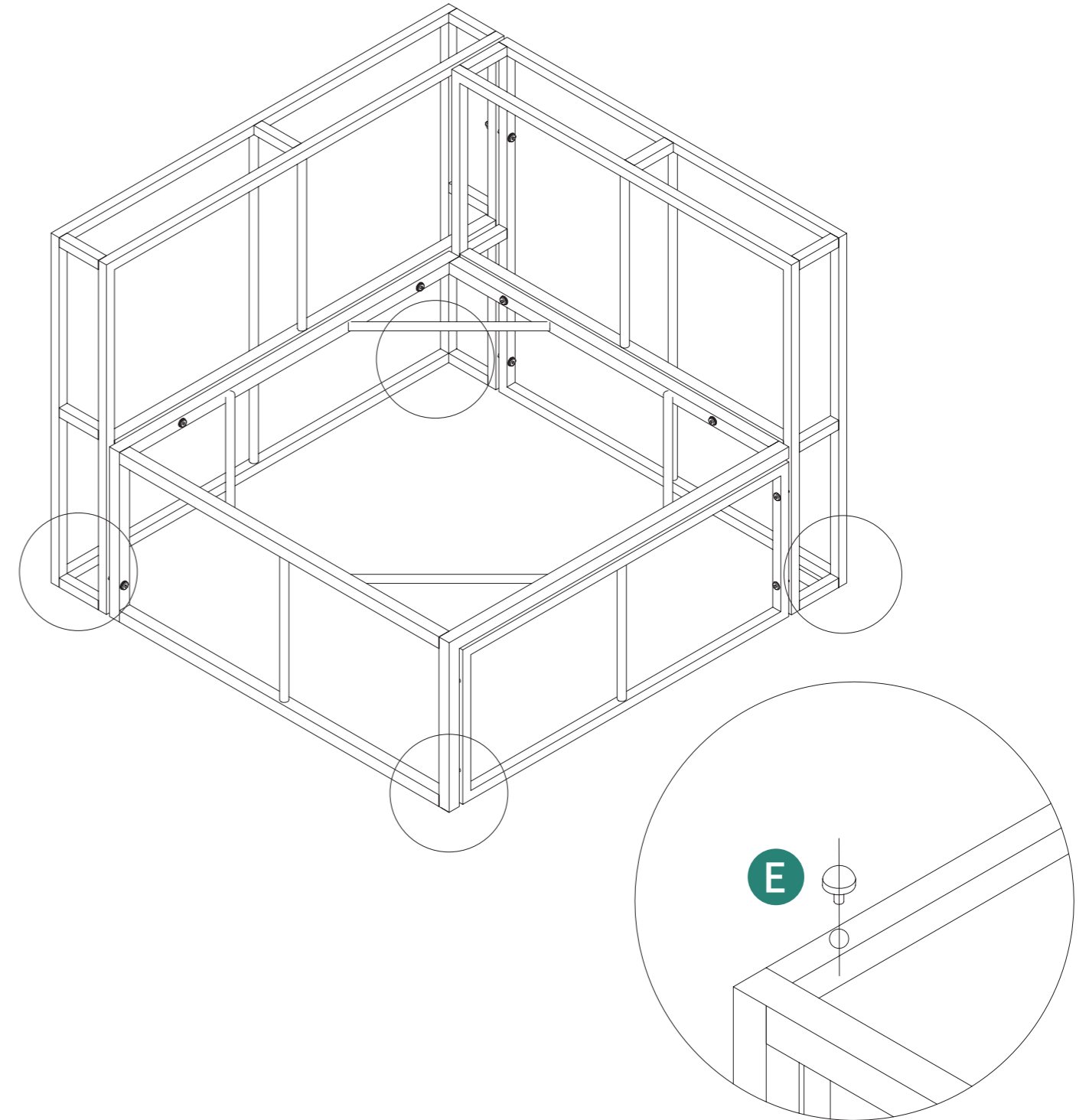
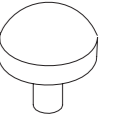


3

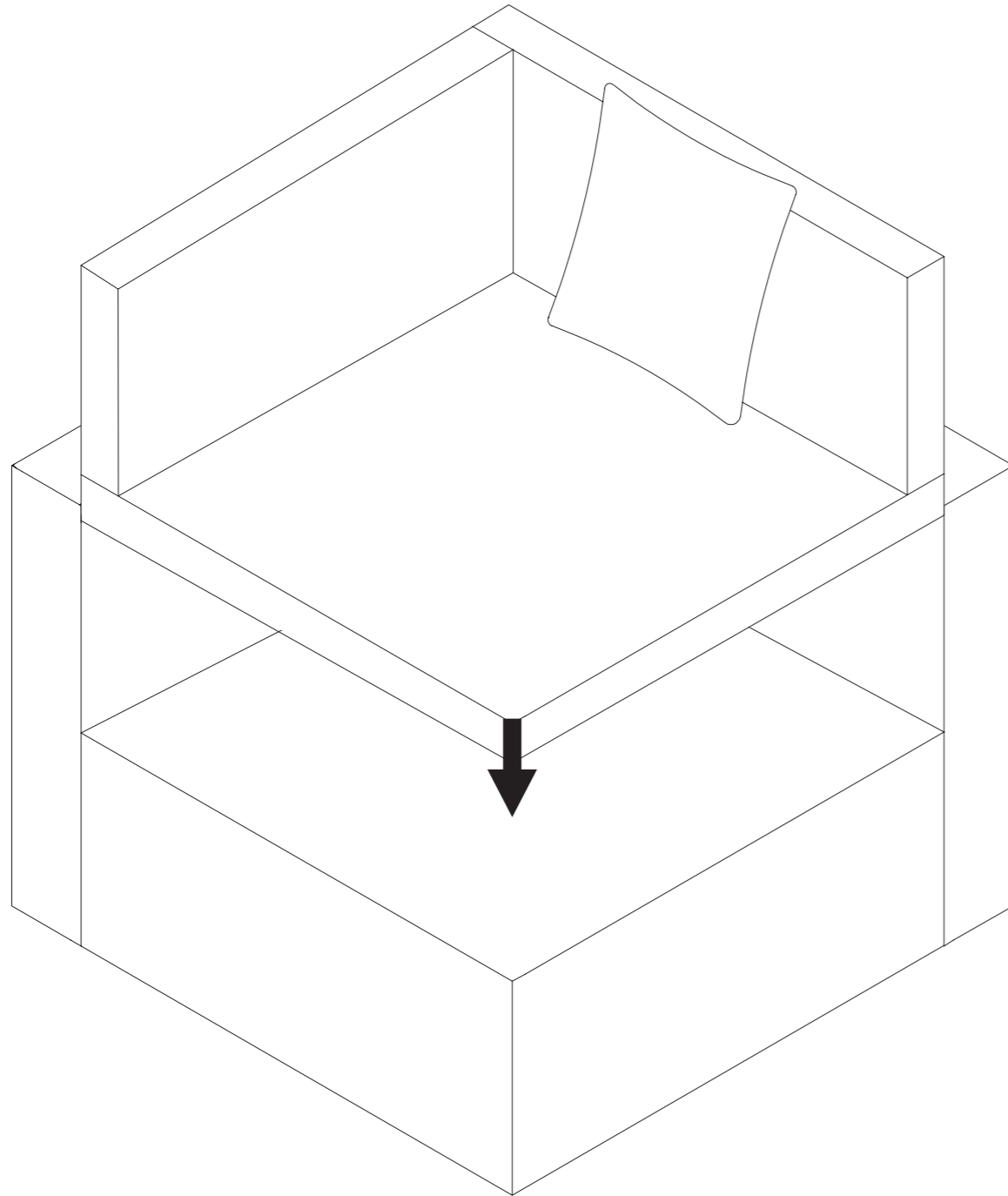


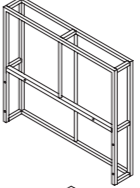
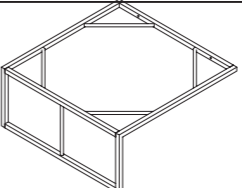
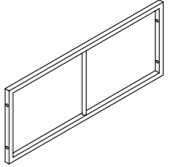
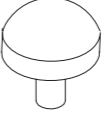
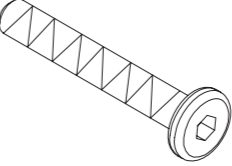
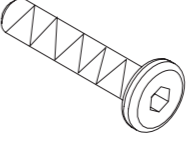
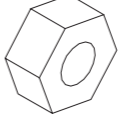

4

⑥ E 4pcs

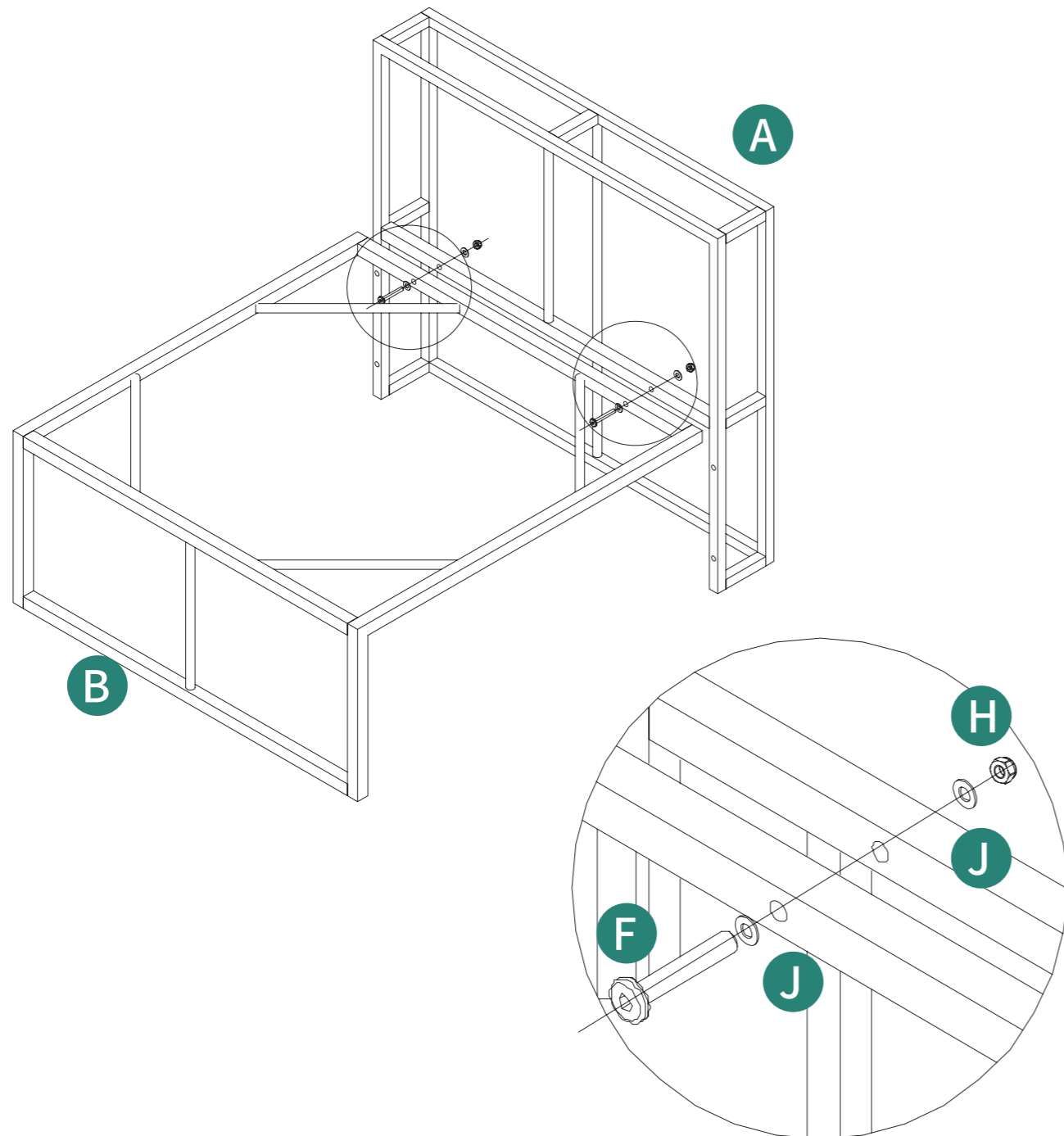
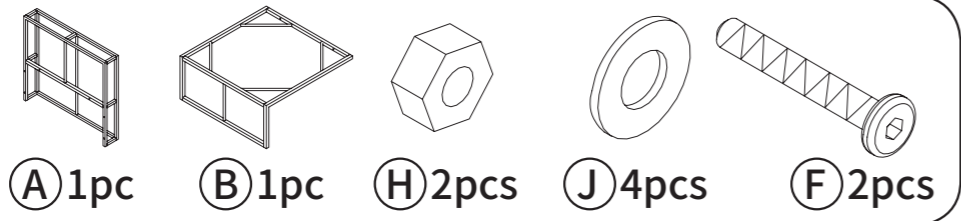


5

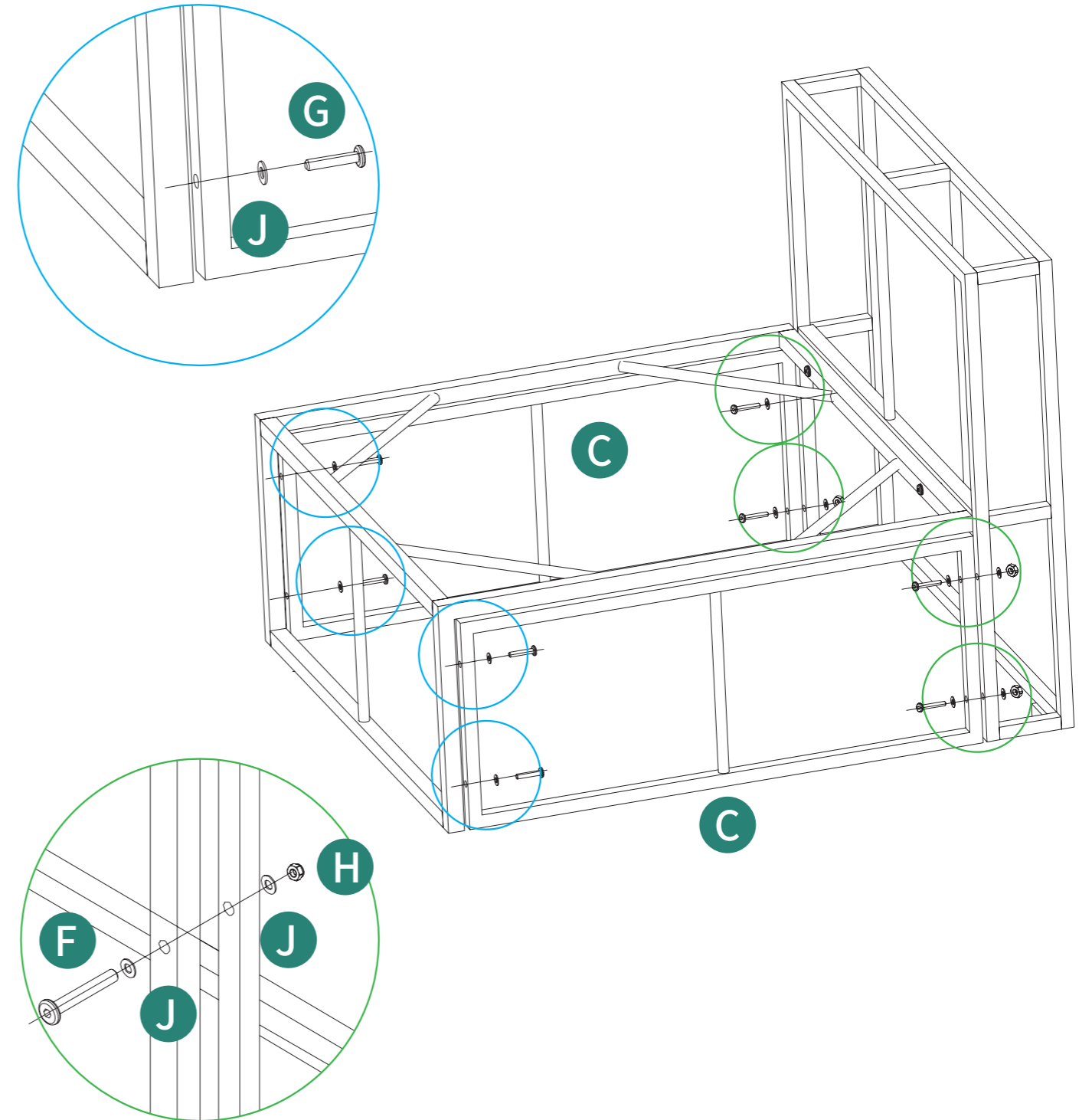
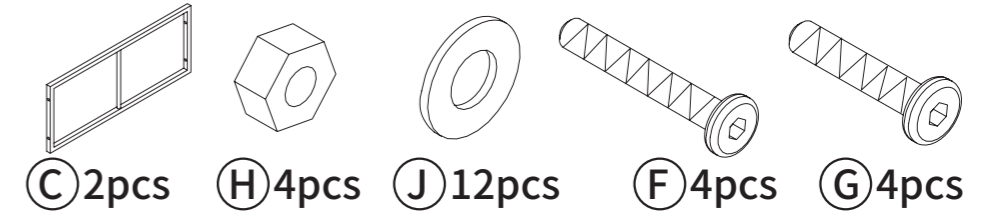


| SINGLE ARMLESS CHAIR | | | |
|----------------------|---|---------------------------------------|------|
| Item no. | Reference Image | Description | Qty. |
| A |  | Seat Back | X 1 |
| B |  | Seat Base | X 1 |
| C |  | Side Panel | X 2 |
| E |  | Leveling Foot | X 4 |
| F |  | M6 X 55mm Socket Head Cap Screw | X 6 |
| G |  | M6 x 35mm Socket Head Cap Screw | X 4 |
| H |  | Nut | X 6 |
| J |  | Flat Washer | X 16 |

1

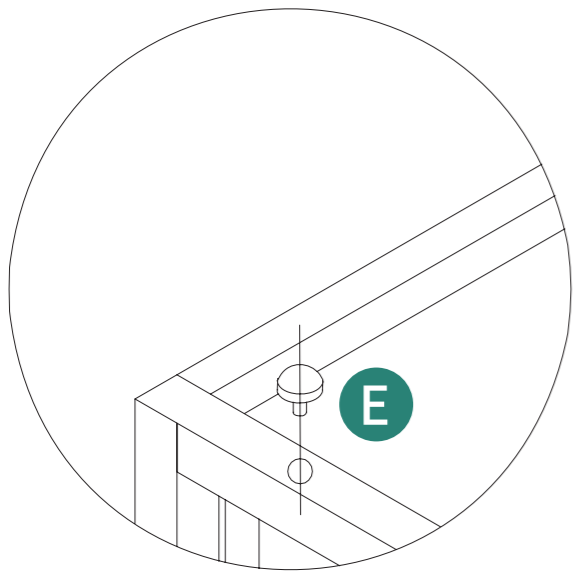
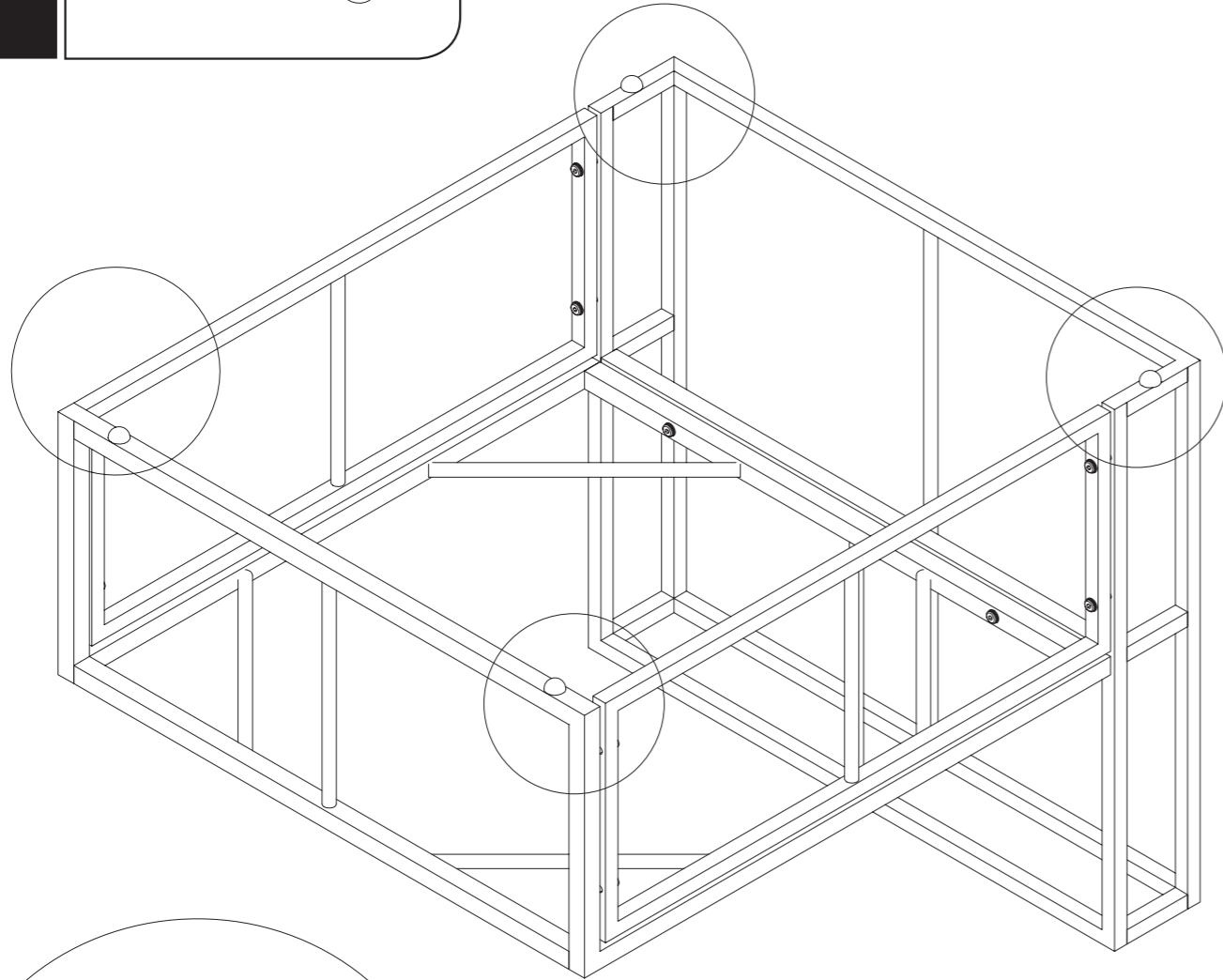
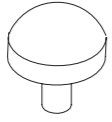


2



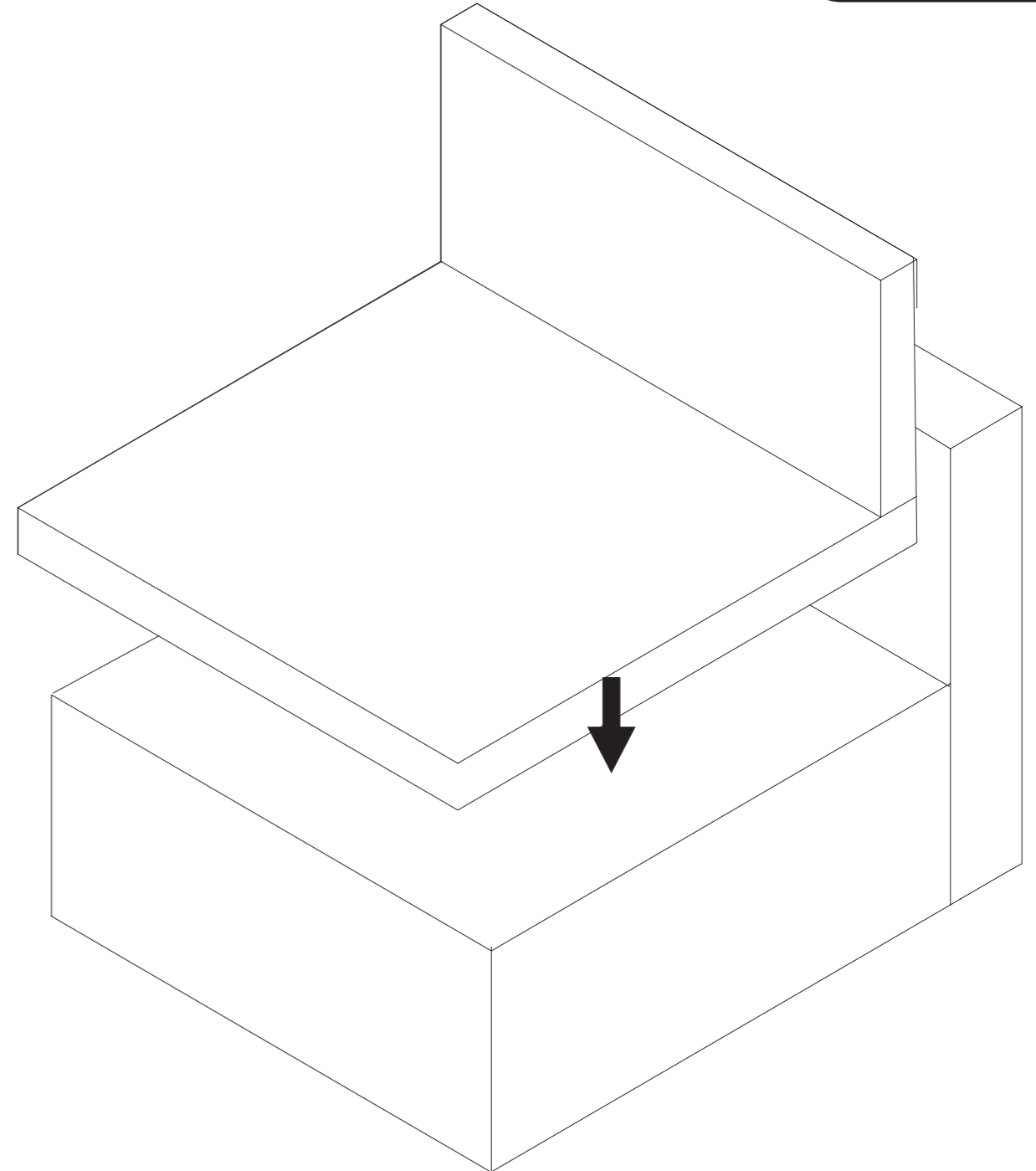
3

E 4pcs

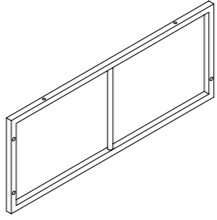
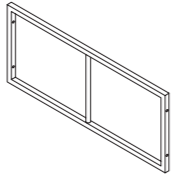
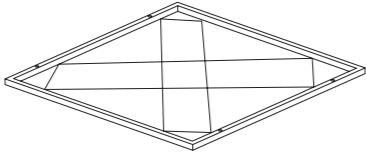
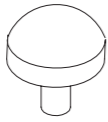
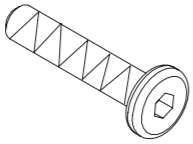
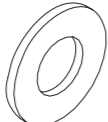


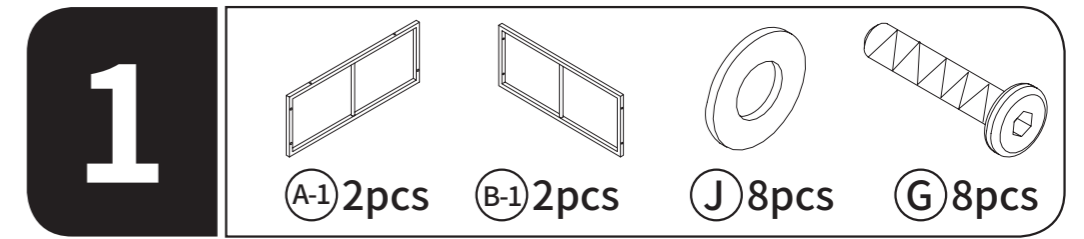
17

4

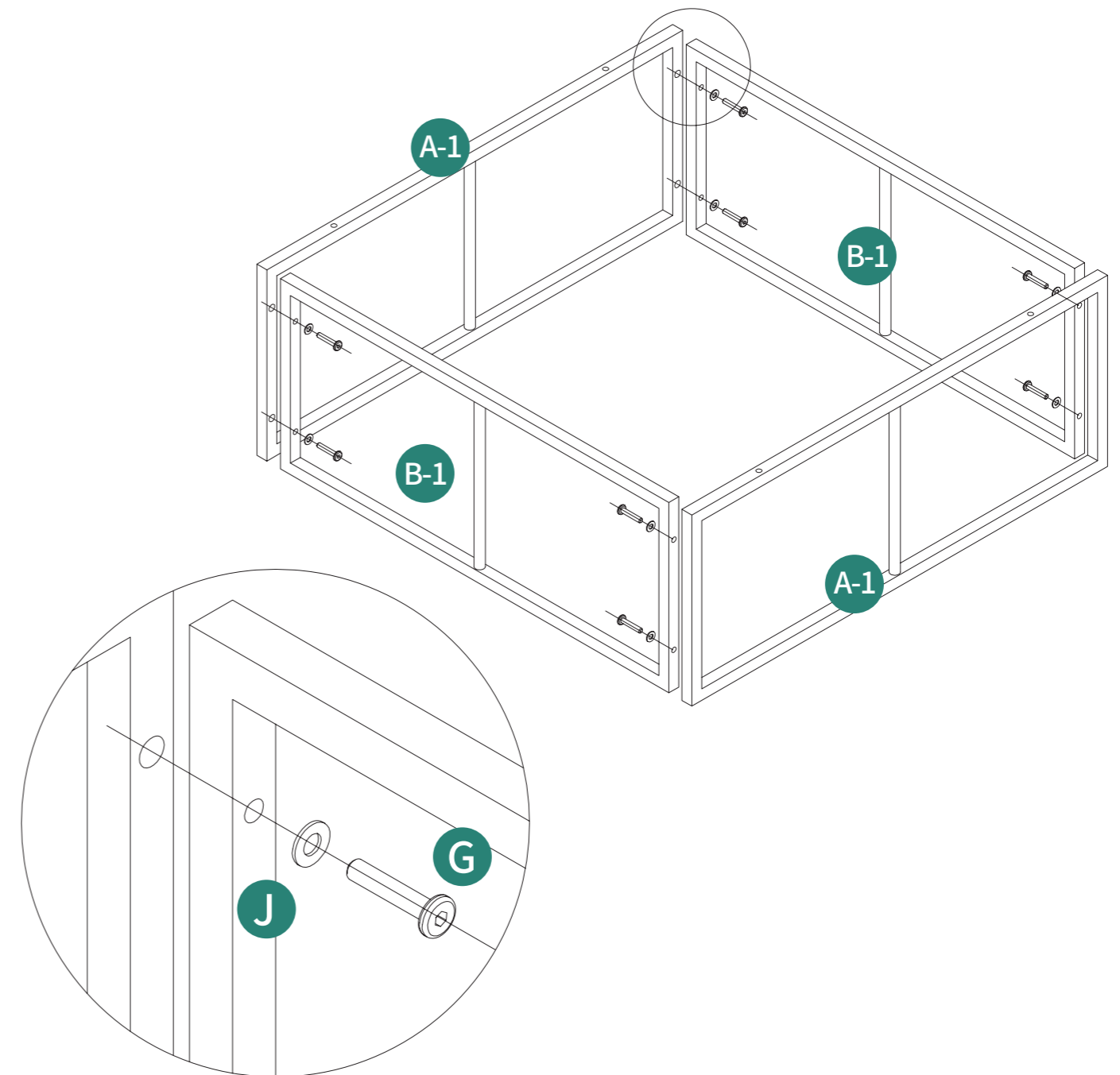


18

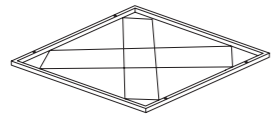
| OTTOMAN | | | |
|----------|---|---------------------------------------|------|
| Item no. | Reference Image | Description | Qty. |
| A-1 |  | Side Panels | X 2 |
| B-1 |  | Front&Back Panel | X 2 |
| C-1 |  | Table Top | X 1 |
| E |  | Leveling Foot | X 4 |
| G |  | M6 x 35mm Socket Head Cap Screw | X 12 |
| J |  | Flat Washer | X 12 |



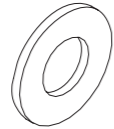
Note: Boards with drilled holes must be installed in the same direction .



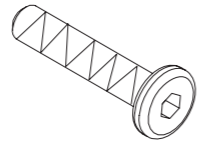
2



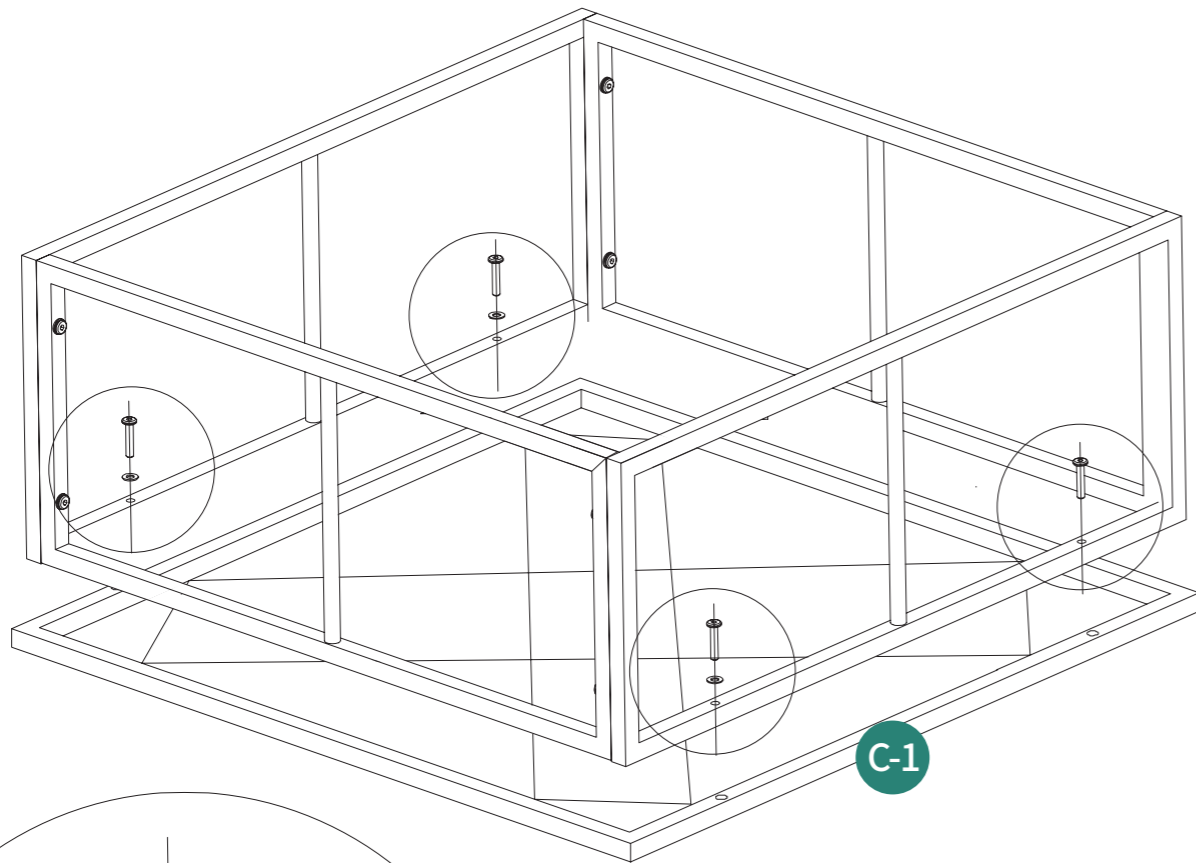
C-1 1pc



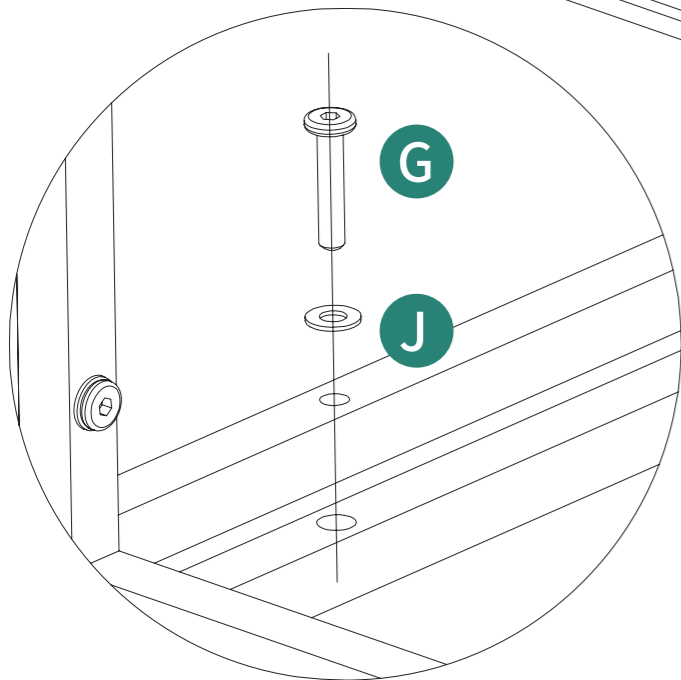
J 4pcs



G 4pcs

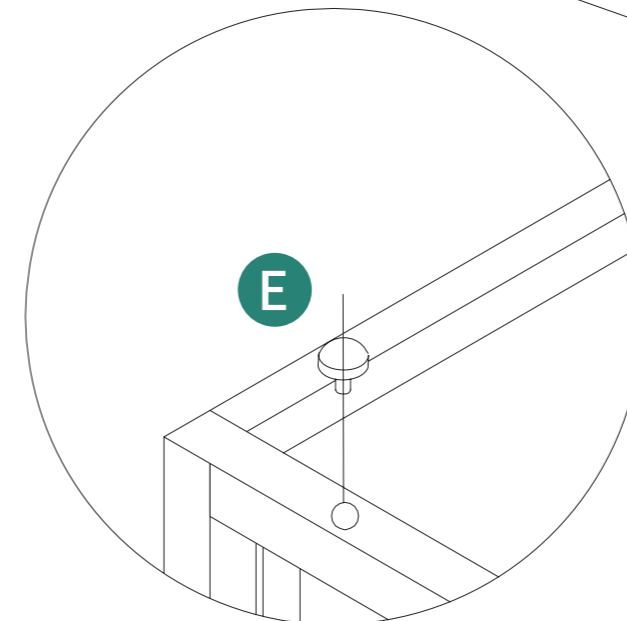
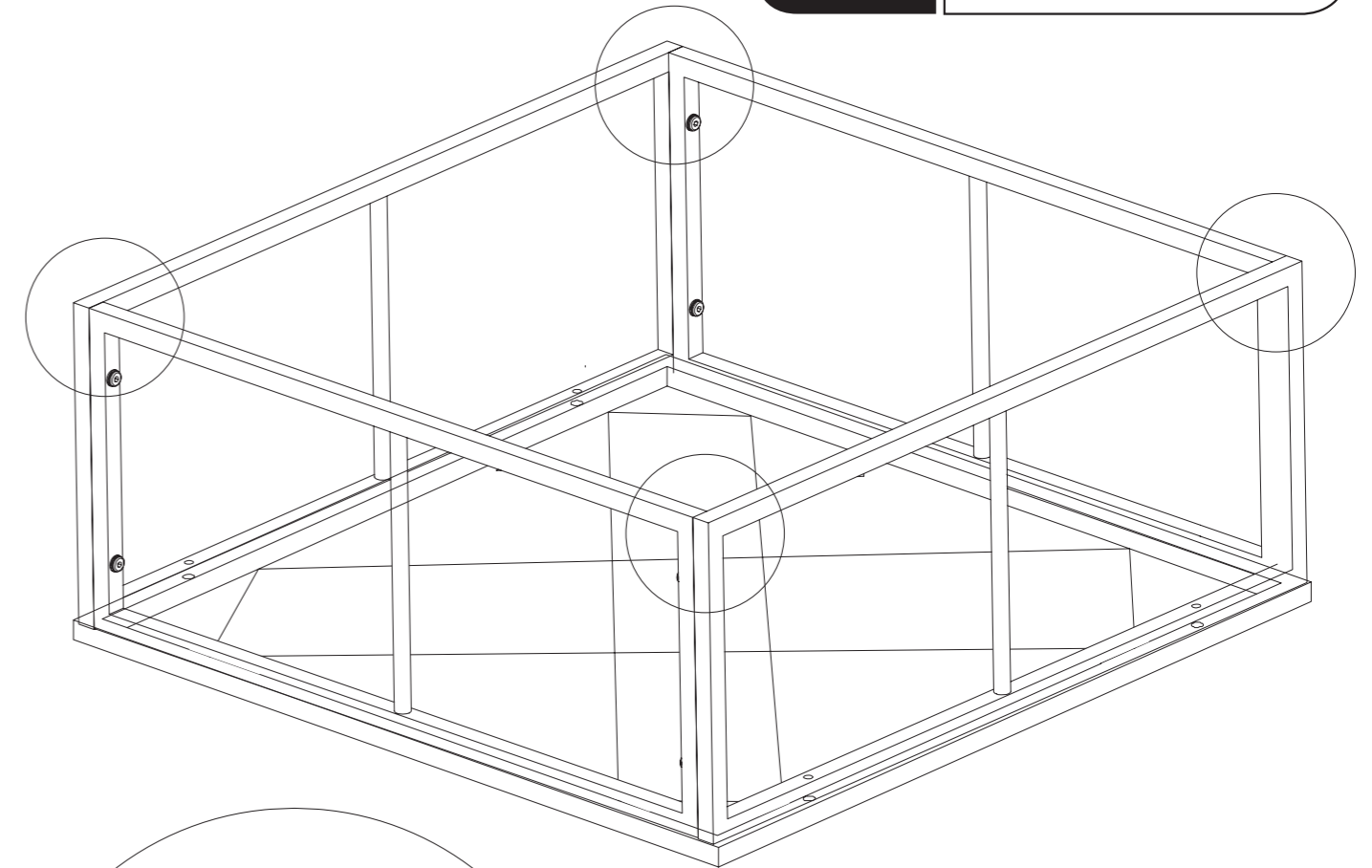
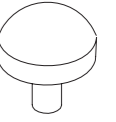


C-1

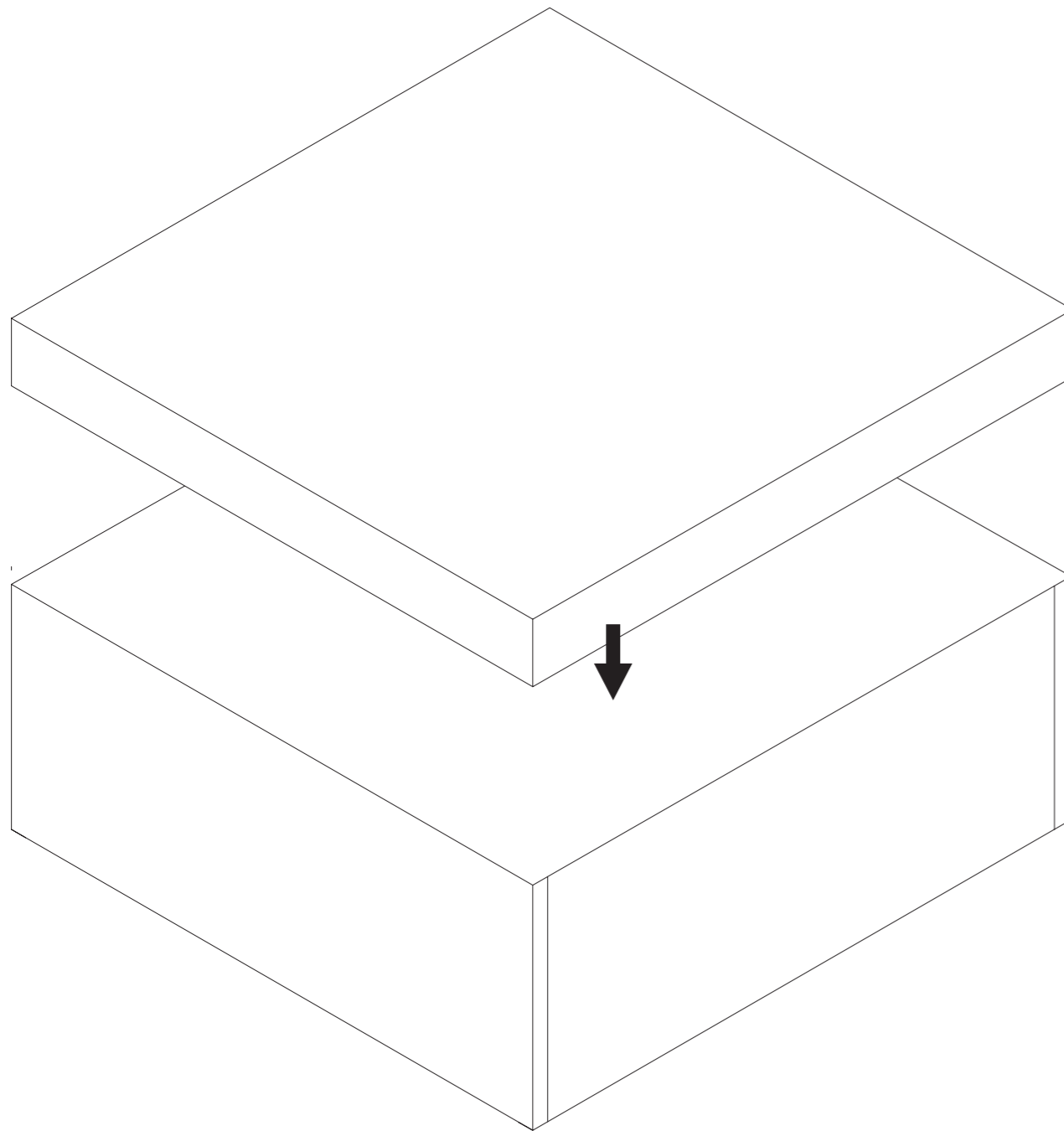


3

E 4pcs

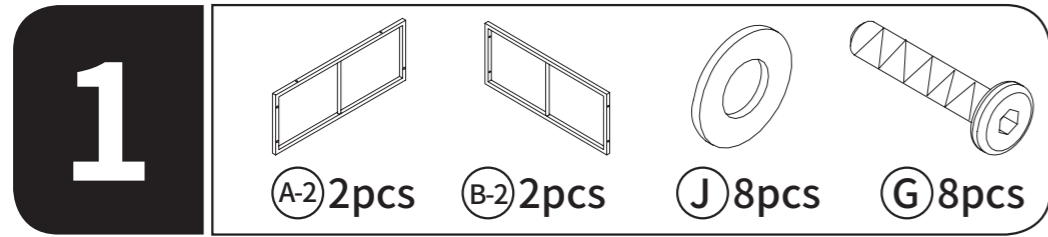


4

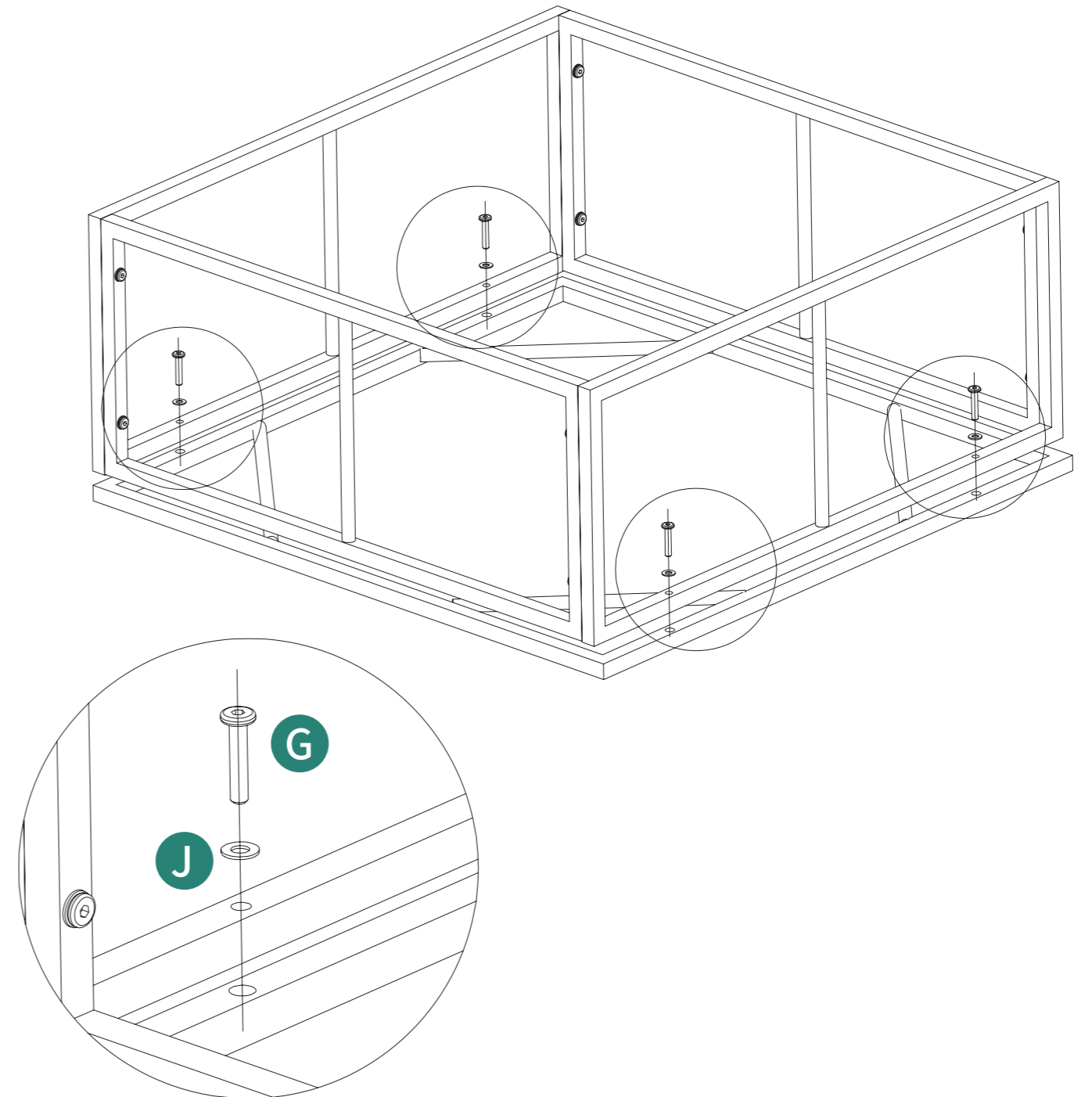
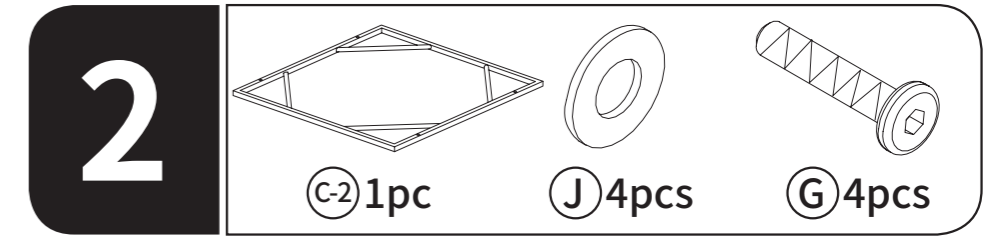
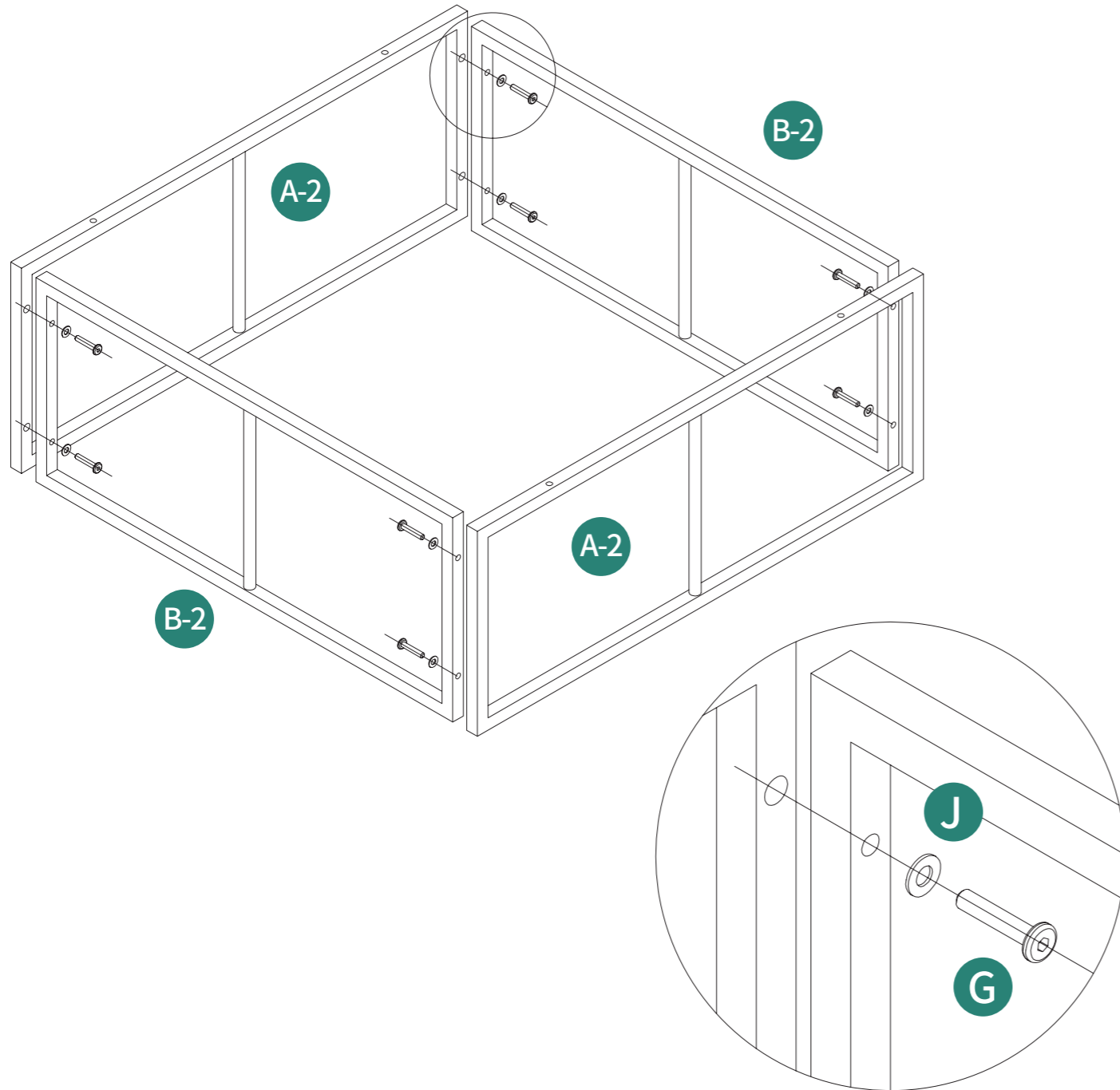


COFFEE TABLE

| Item no. | Reference Image | Description | Qty. |
|----------|-----------------|---------------------------------------|------|
| A-2 | | Side Panels | X 2 |
| B-2 | | Front&Back Panel | X 2 |
| C-2 | | Table Top | X 1 |
| E | | Leveling Foot | X 4 |
| I | | Glass Top | X 1 |
| G | | M6 x 35mm Socket Head Cap Screw | X 12 |
| J | | Flat Washer | X 12 |

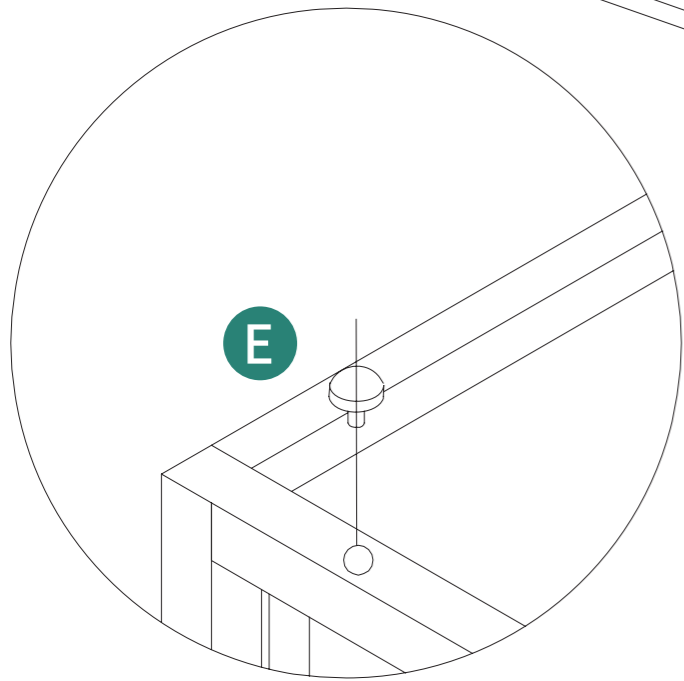
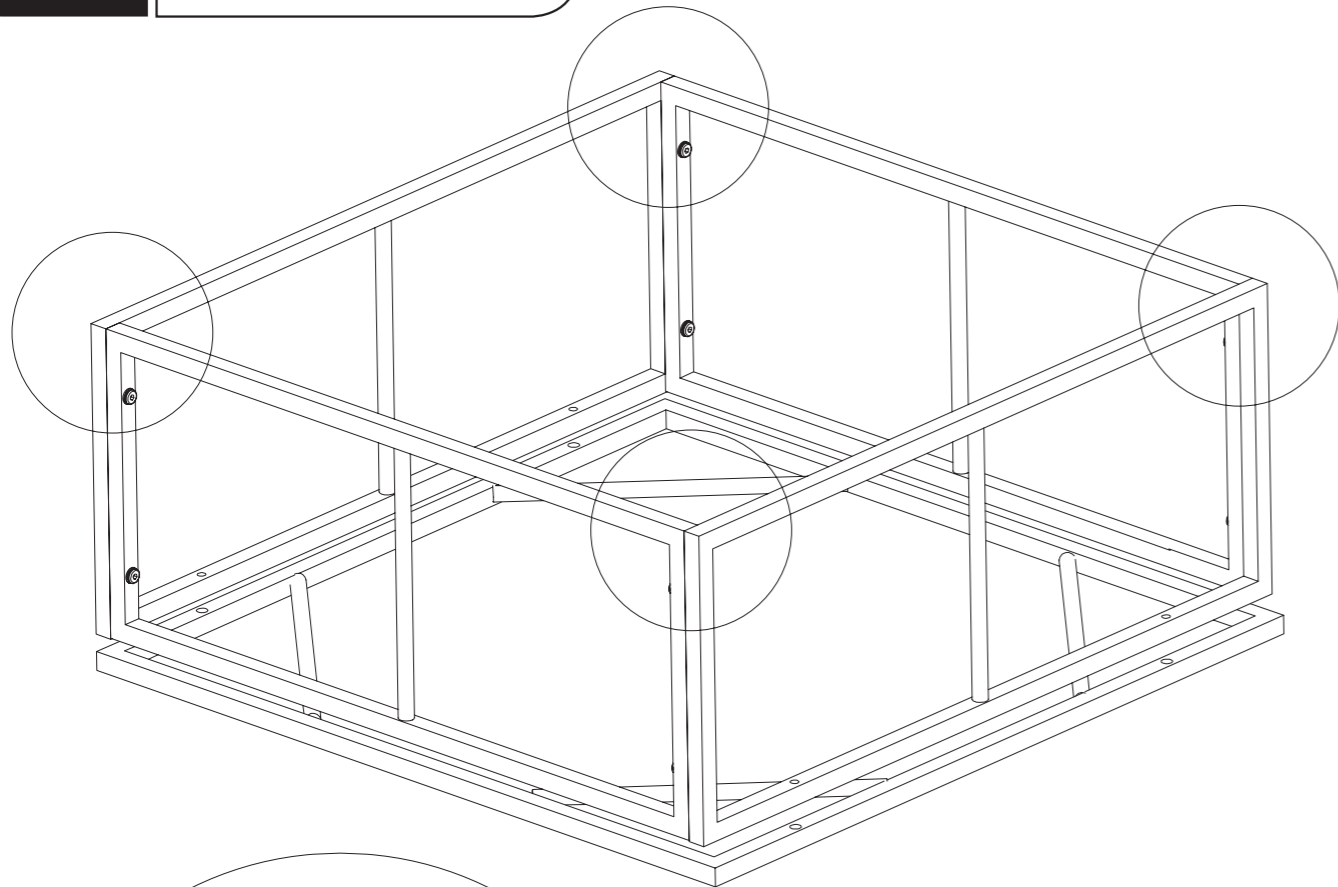
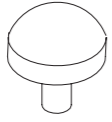


Note: Boards with drilled holes must be installed in the same direction.



3

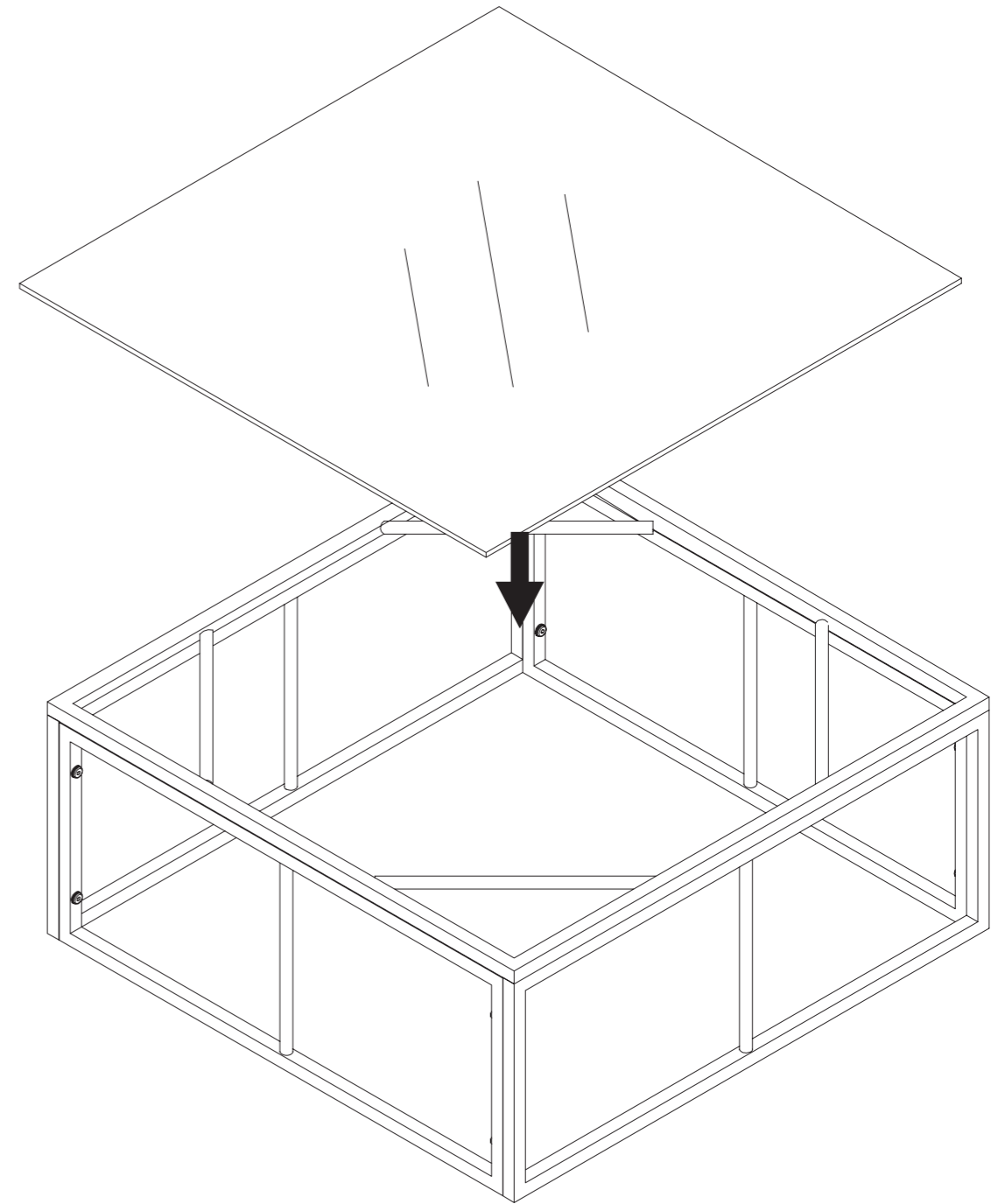
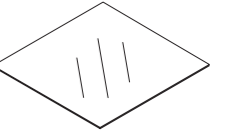
ⓔ 4pcs



27

4

Ⓛ 1pc



28