

2-DRAWER STORAGE CHEST

CONTACT US:

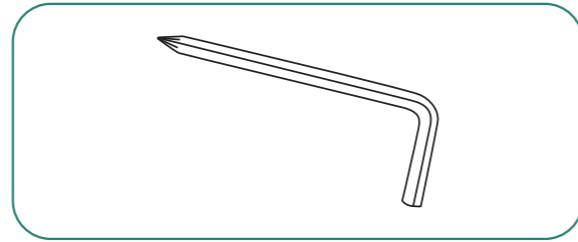
If you have any questions about the installation of YITAHOME products, just contact us at +1 (888) 717-8084 from Mon-Fri 8:00 AM-4:30 PM PST / Sat. 8:00 AM-12:00 PM PST or e-mail us at after-sale.cs@hotmail.com

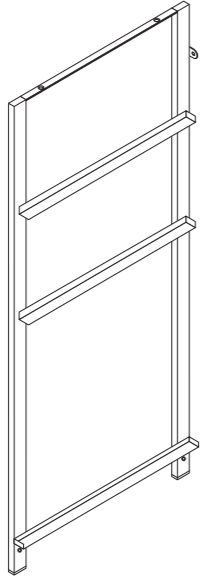
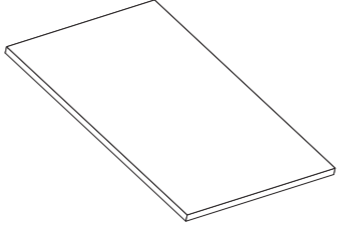
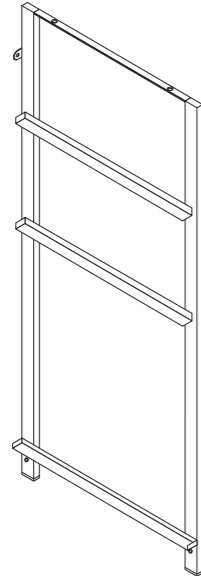
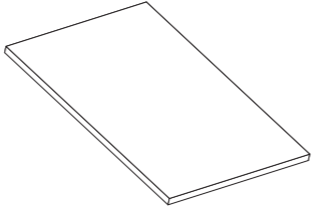
Alternative method to contact us (amazon.com orders only)

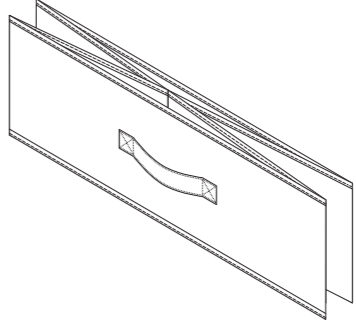
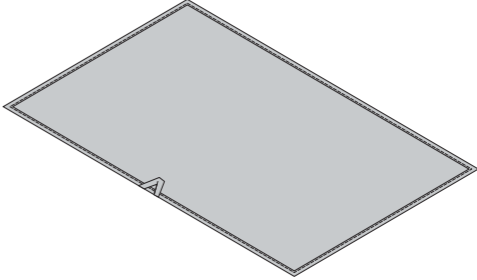
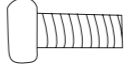


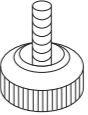

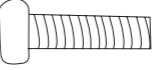

1. Log into your Amazon account
2. Go to "Your Orders" and find the purchase
3. Click on "Contact Seller"

⚠ Attention: Do not tighten the screws until you have complete setup assembly.

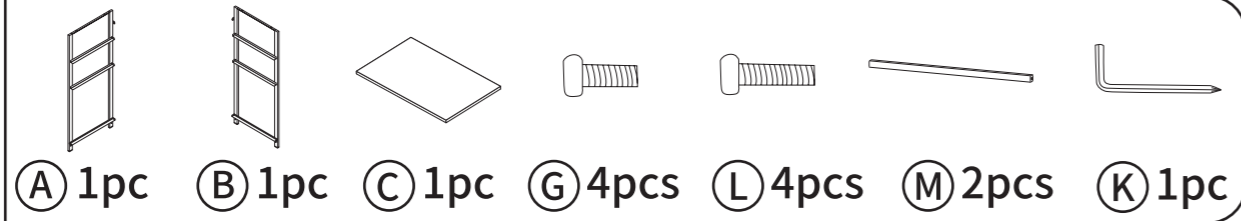
Tools Required For Assembly



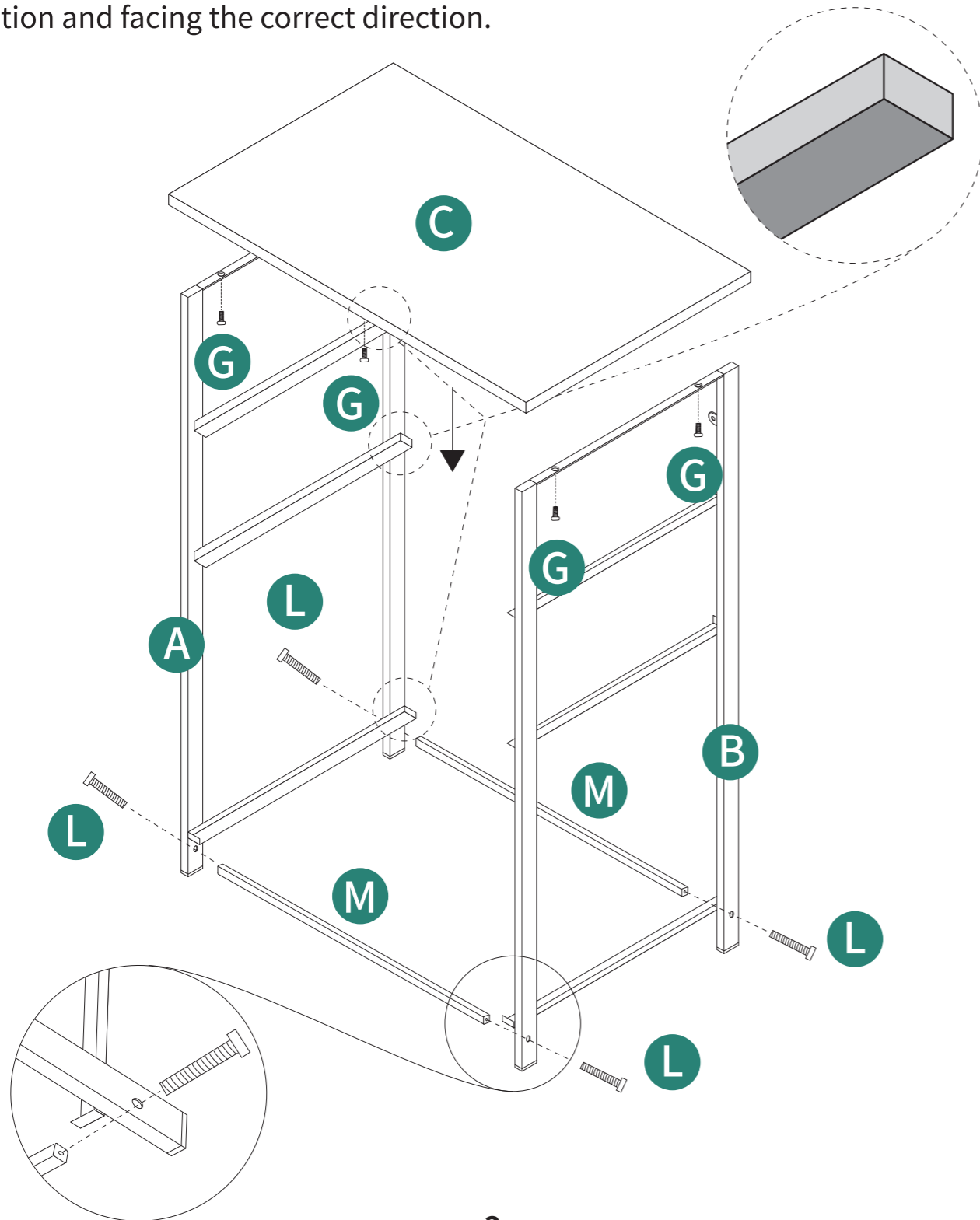
Item no.	Reference Image	Qty.	Item no.	Reference Image	Qty.
A		X 1	C		X 1
B		X 1	D		X 1

Item no.	Reference Image	Qty.
E		X 2
F		X 2
G		X 4
H		X 2
I		X 2
J		X 4
K		X 1
L		X 4
M		X 2

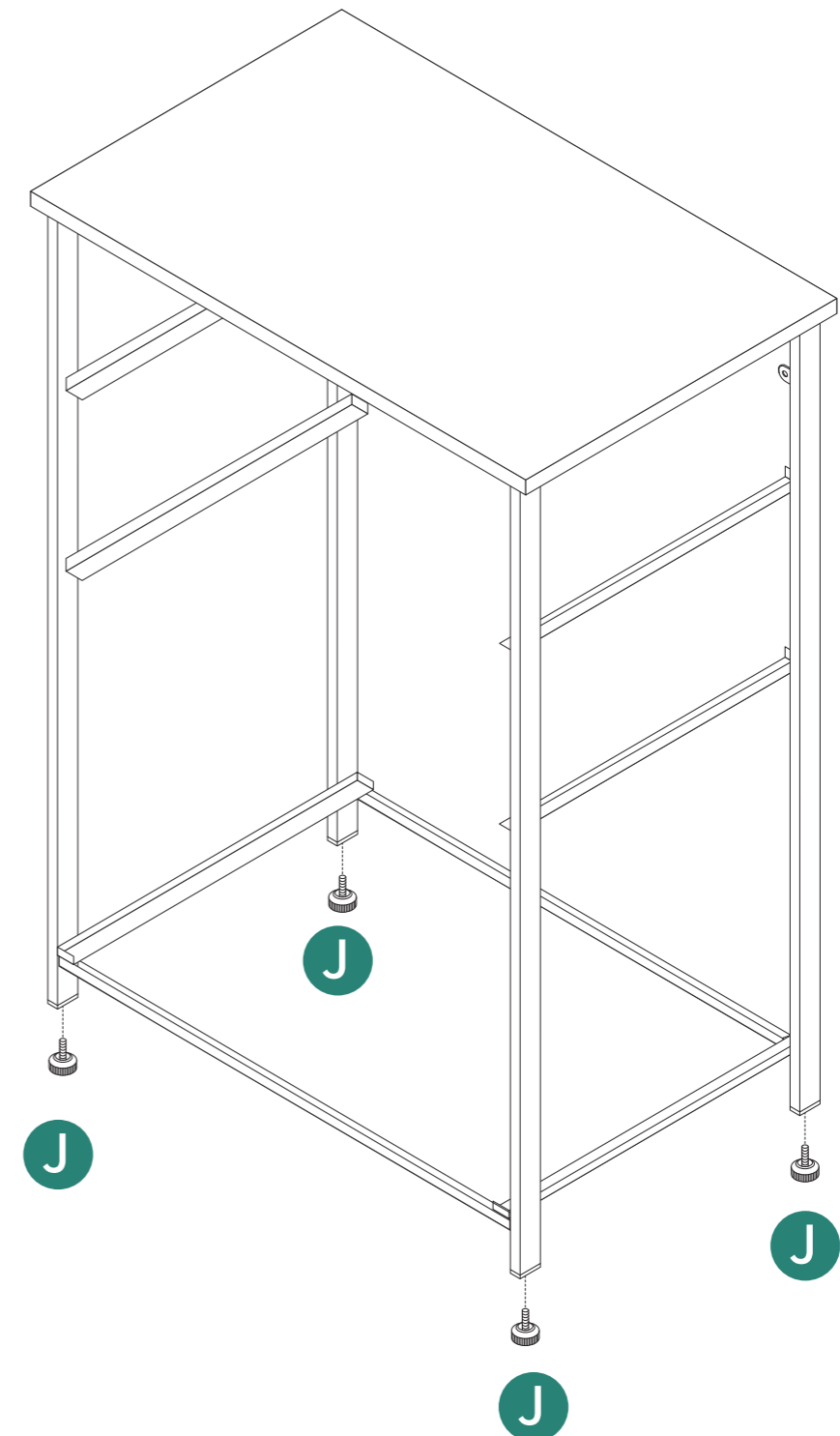
1



Please make sure that the iron frames are placed in the correct position and facing the correct direction.

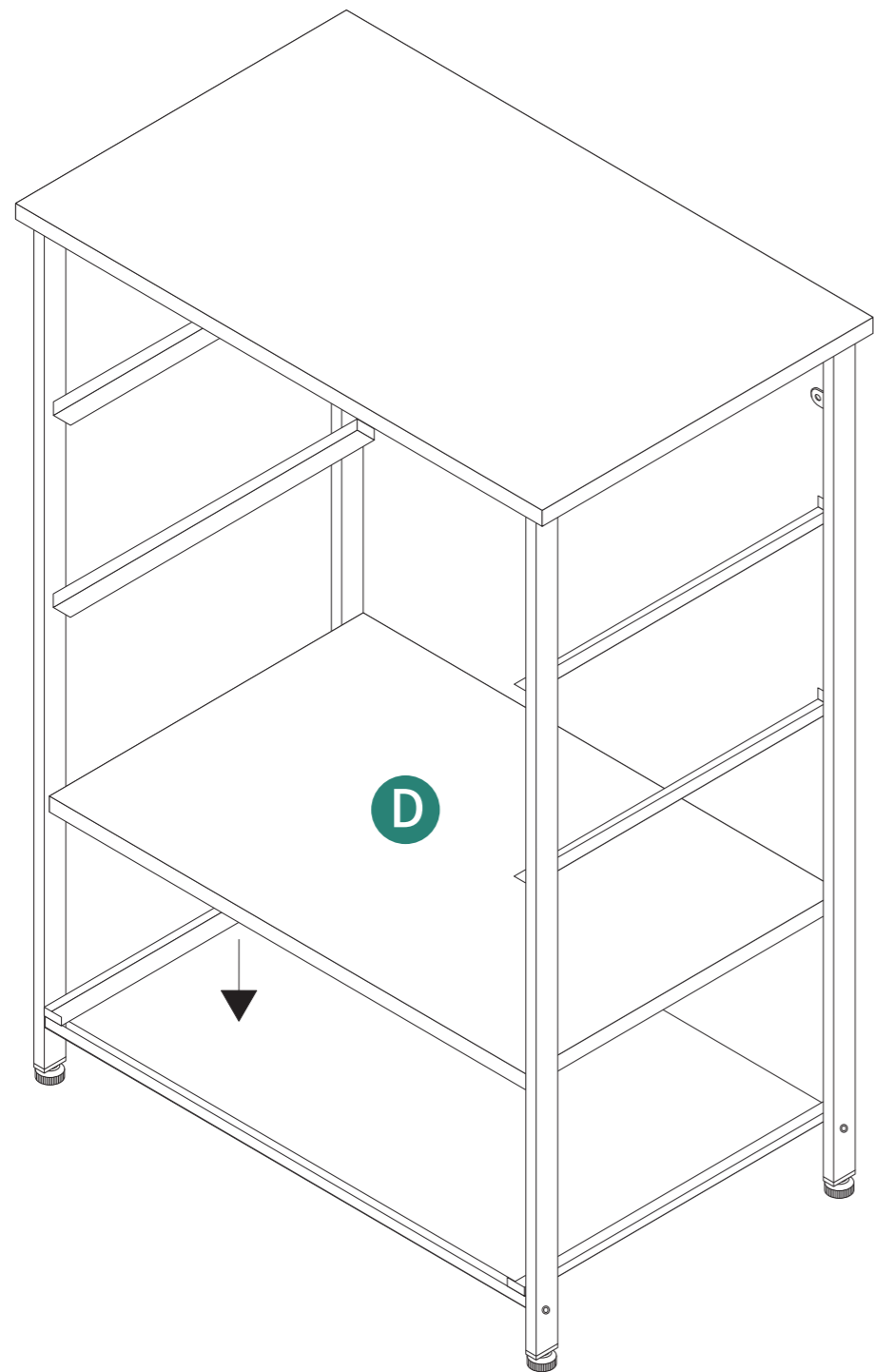
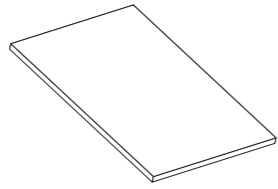


2



3

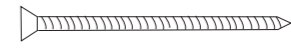
ⓓ 1 pc



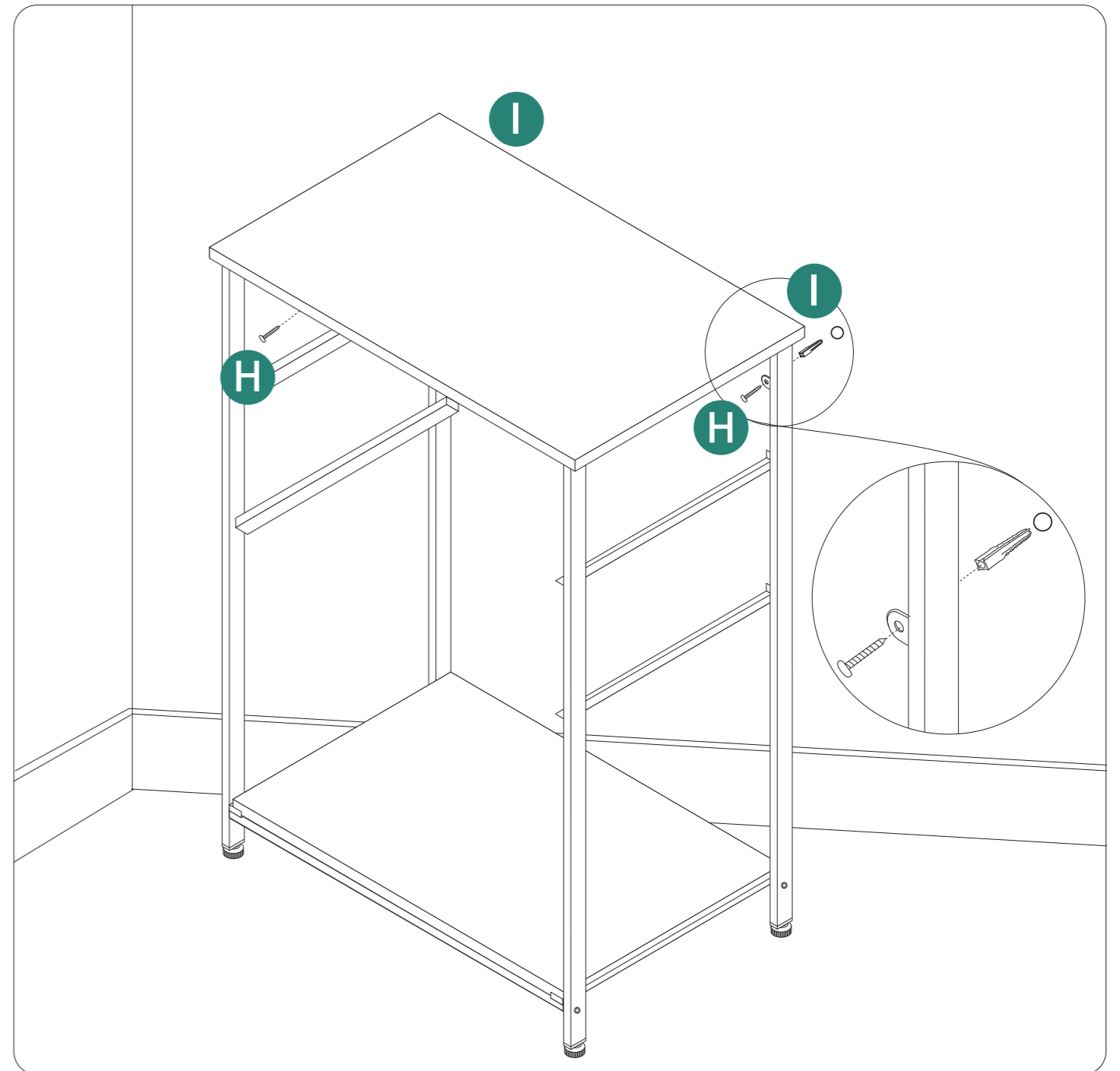
5

4

ⓓ 2 pcs

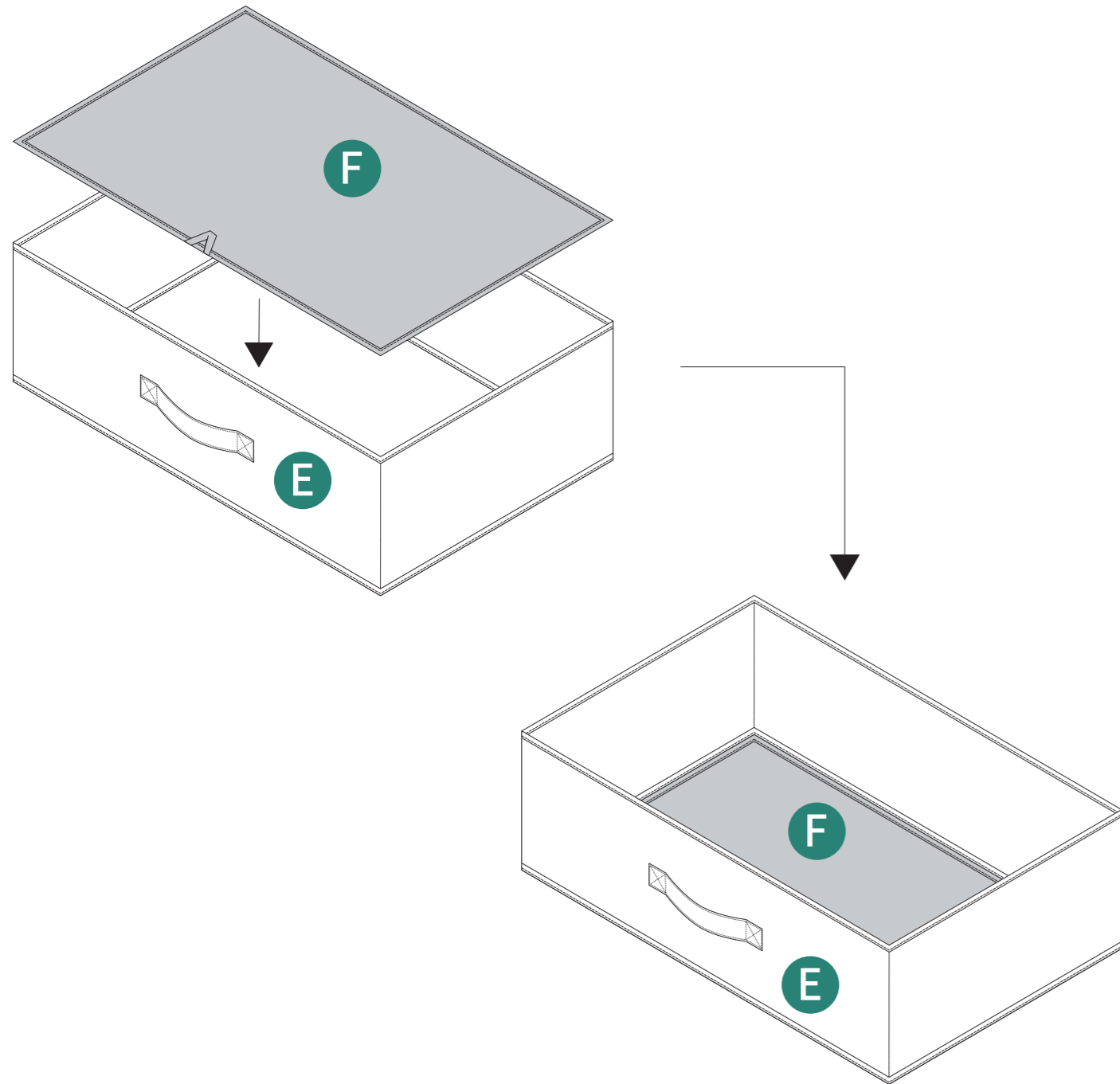
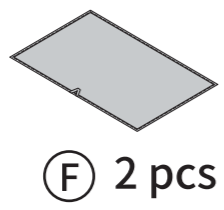
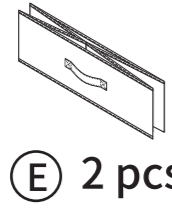


ⓓ 2 pcs

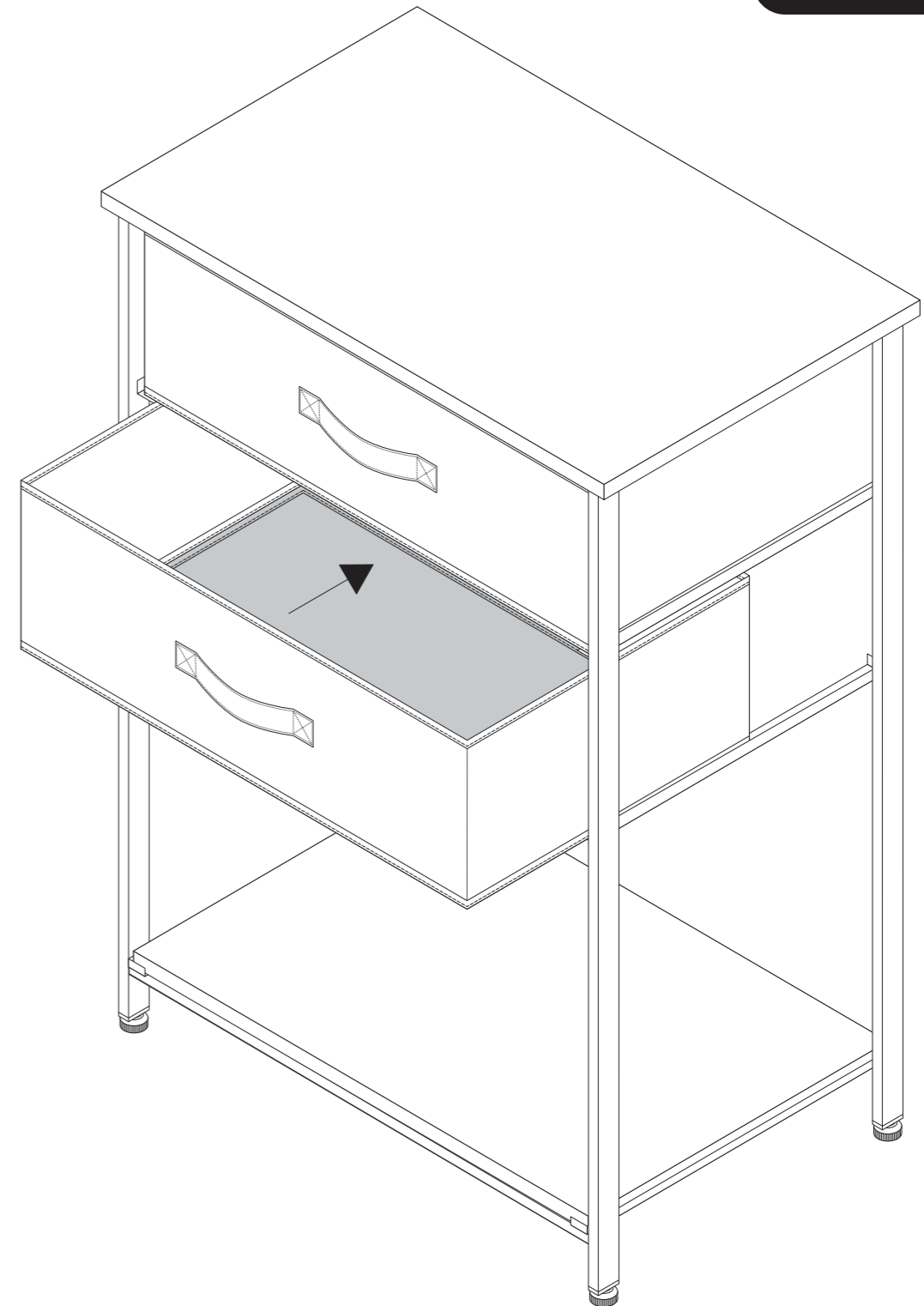


6

5



6



7



Complete Installation



Attention: Please be aware that the drawer storage towers are lightweight, and pulling them down could be dangerous, especially when children are playing and chasing each other around the drawers.