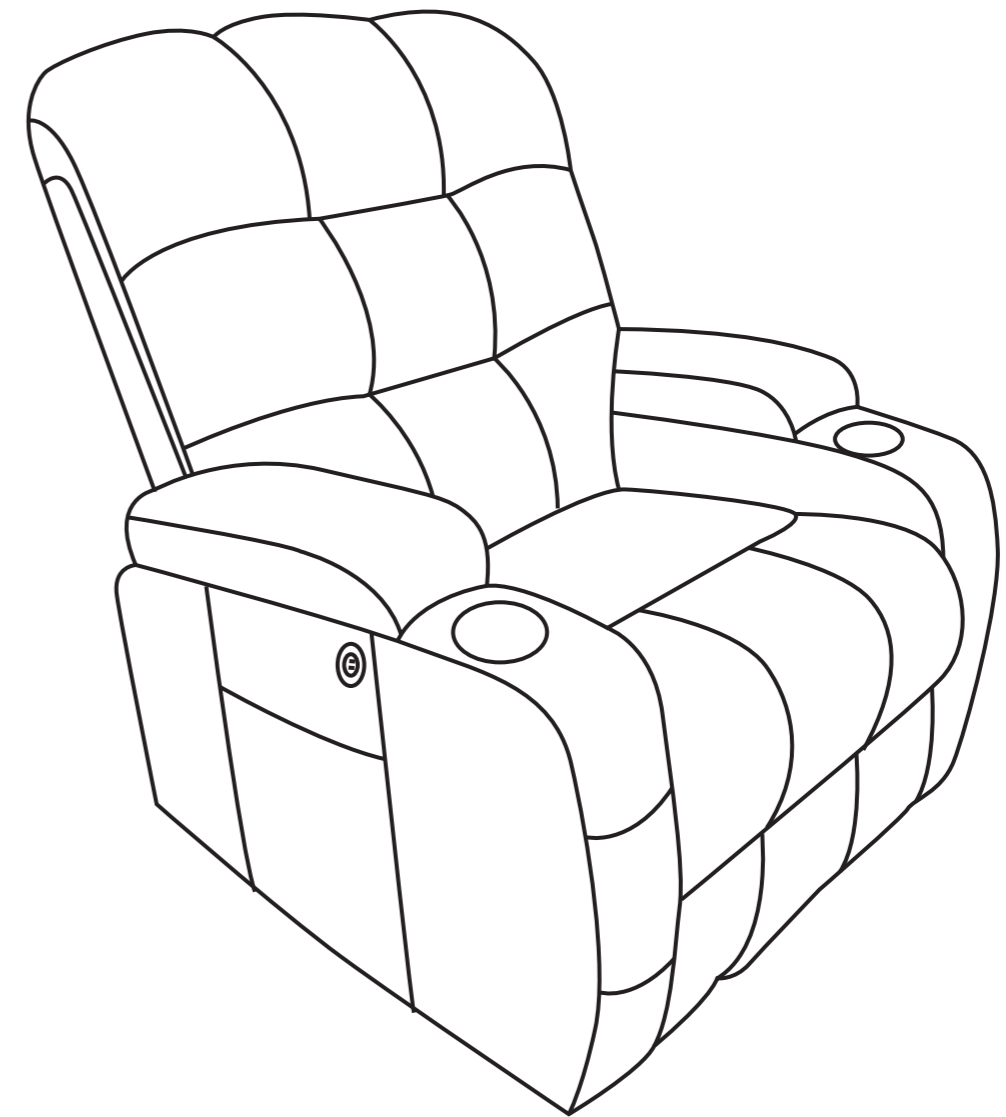


FTLFFS-0008
FTLFFS-0009
FTLFFS-0010
FTLFFS-0011



MASSAGE RECLINER SOFA

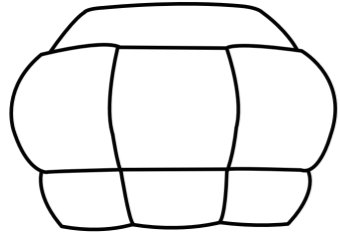
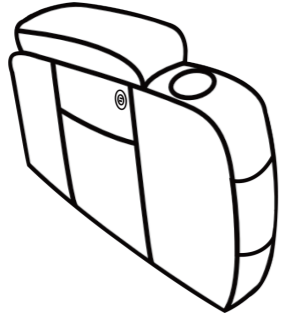
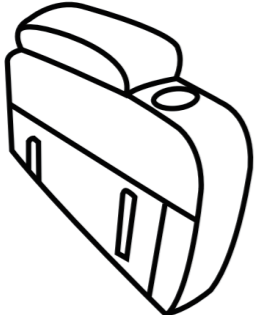
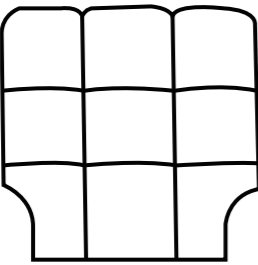
CONTACT US:

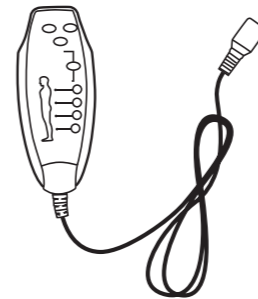
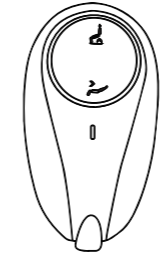
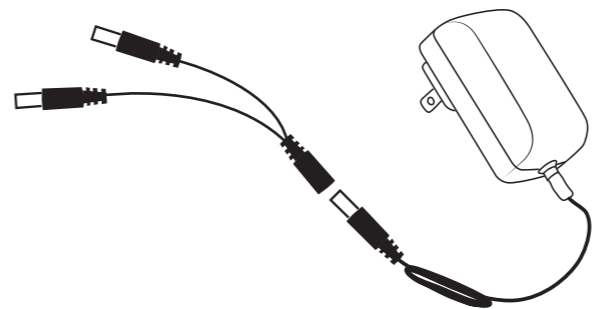
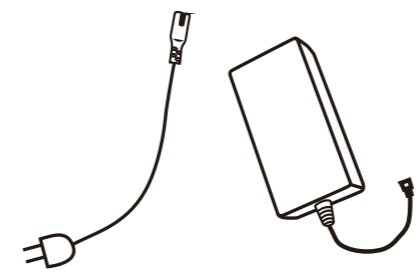
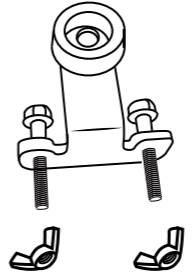
If you have any questions about the installation of YITAHOME® products, just contact us at +1 (888) 717-8084 from Monday to Friday 8:00 A.M. – 5:00 P.M. or e-mail us at yitahome@outlook.com

Alternative method to contact us (amazon.com orders only)

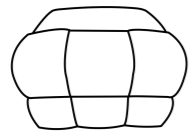
1. Log into your Amazon account
2. Go to "Your Orders" and find the purchase
3. Click on "Contact Seller"

- ⚠ 1. Two or more people are needed to complete the installation.
- 2. Please protect the wires and remote control accessories from damage during installation.
- 3. The cable tie, located beneath the chair and used to fix the motor cable, can be cut if needed.

Reference Image	Description	Qty.
	Chair base	X 1
 (Left)	Left armrest	X 1
 (Right)	Right armrest	X 1
	Backrest	X 1

Reference Image	Description	Qty.
	Remote control	X 1
	Remote control	X 1
	Power supply	X 1
	Power source	X 1
	Anti-fall bracket	X 2

1



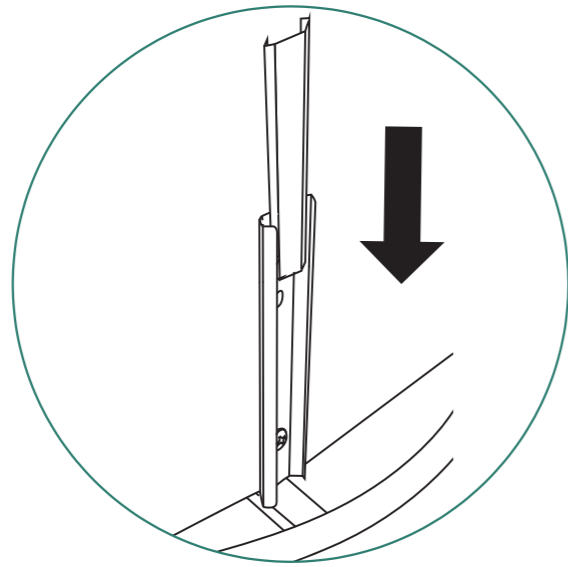
Chair base



Left armrest



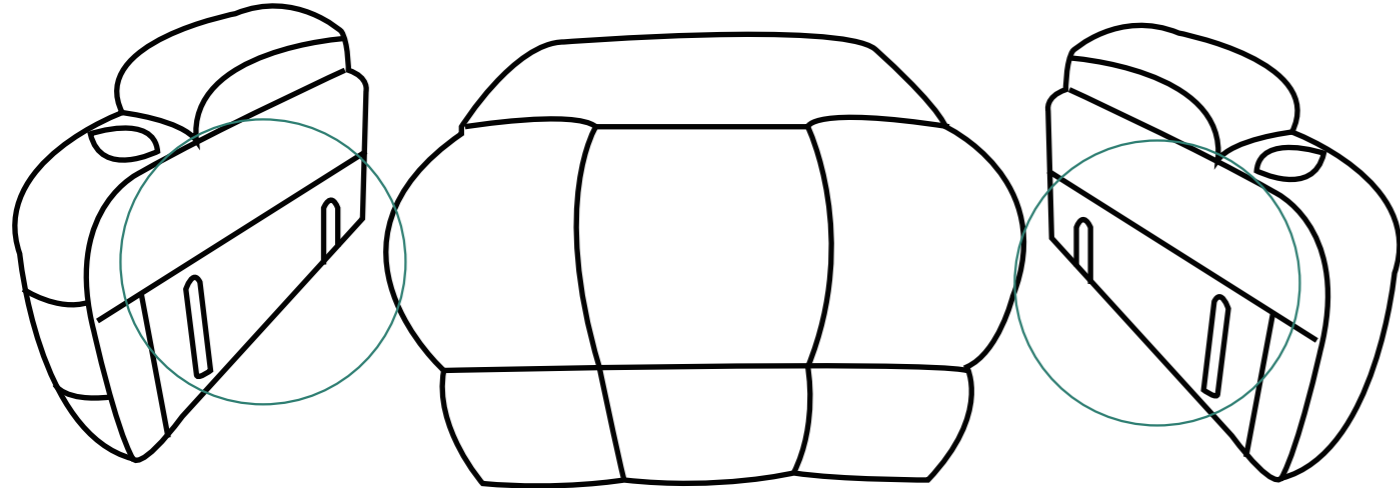
Right armrest



(Left)

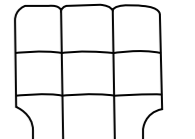


(Right)

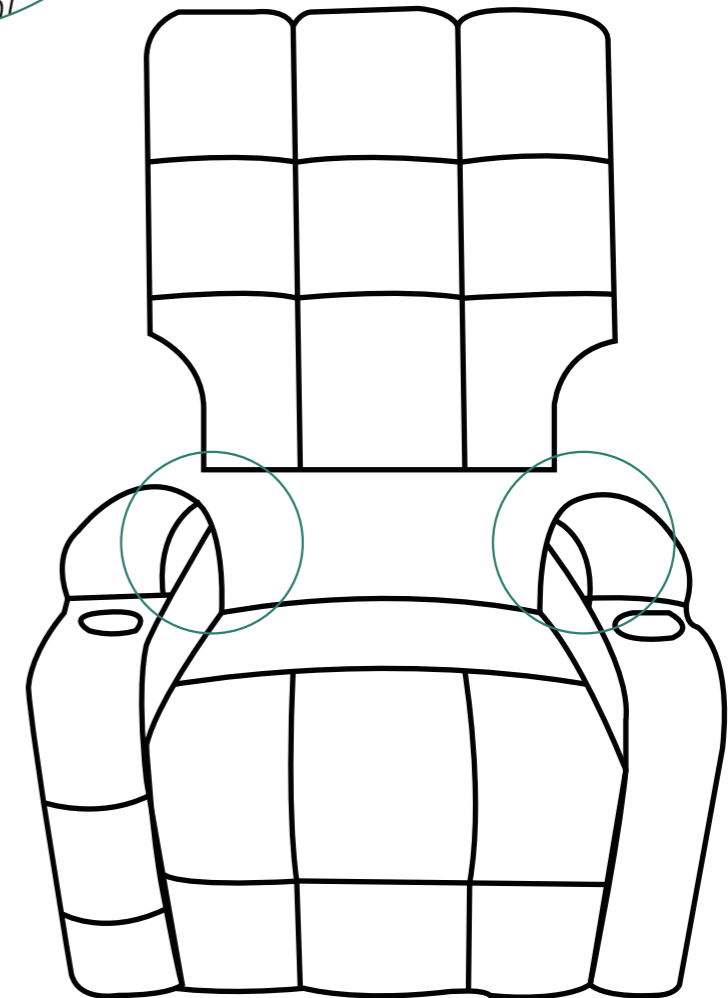
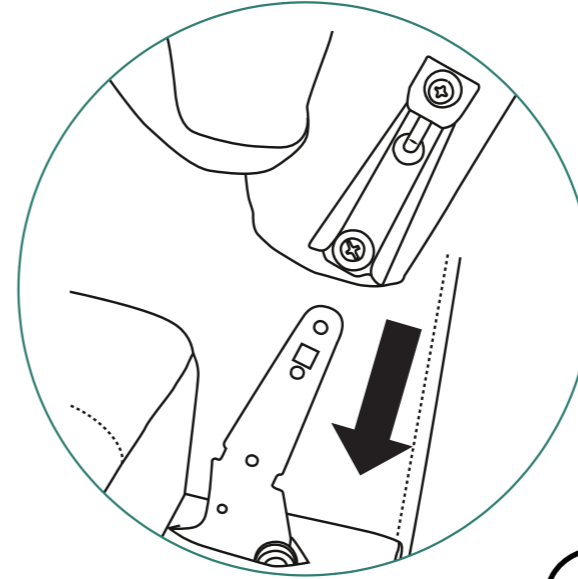


3

2

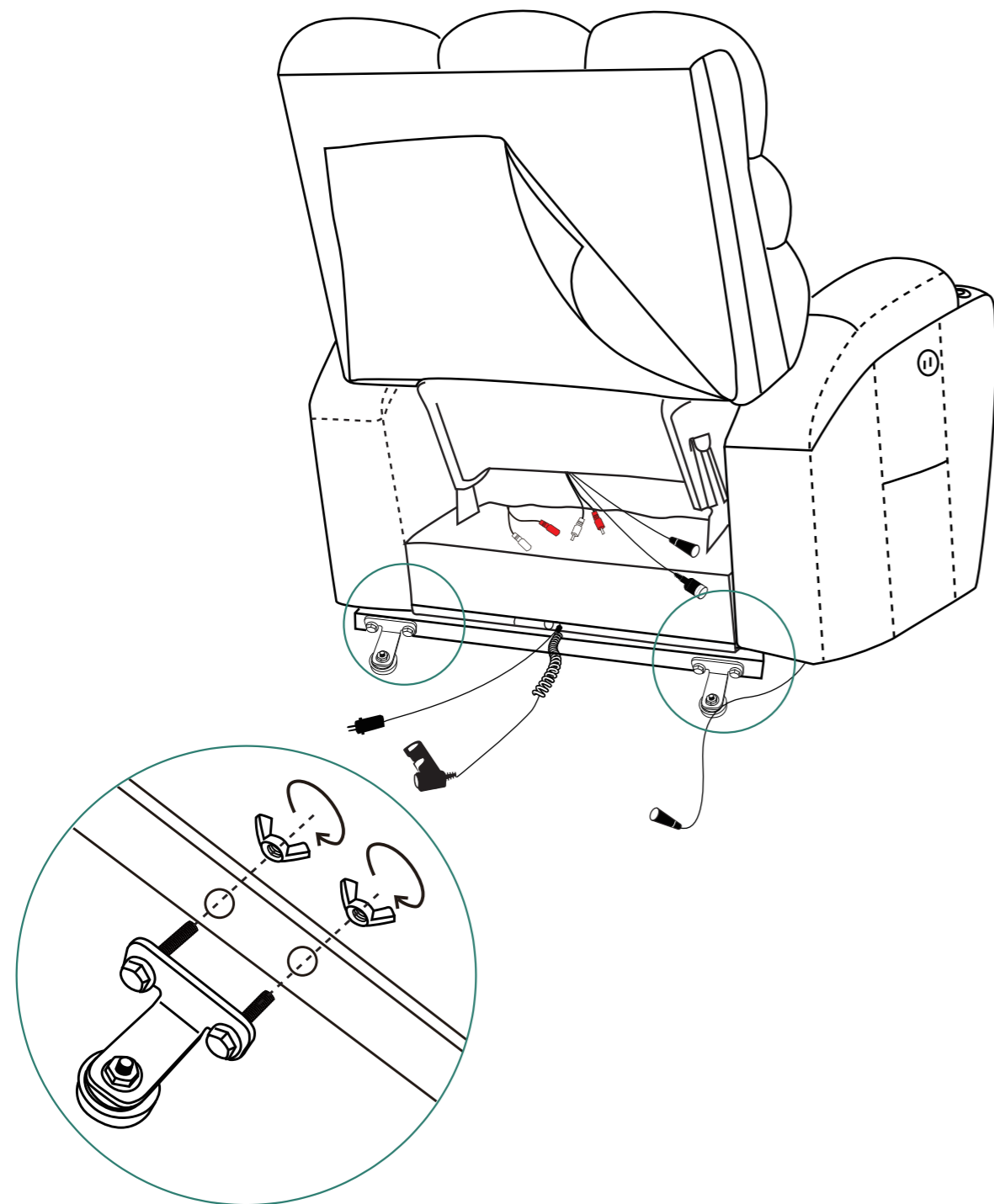
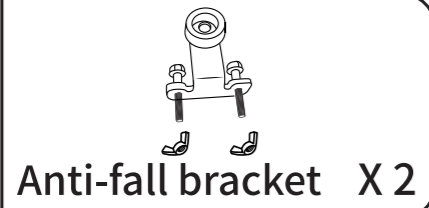


Backrest



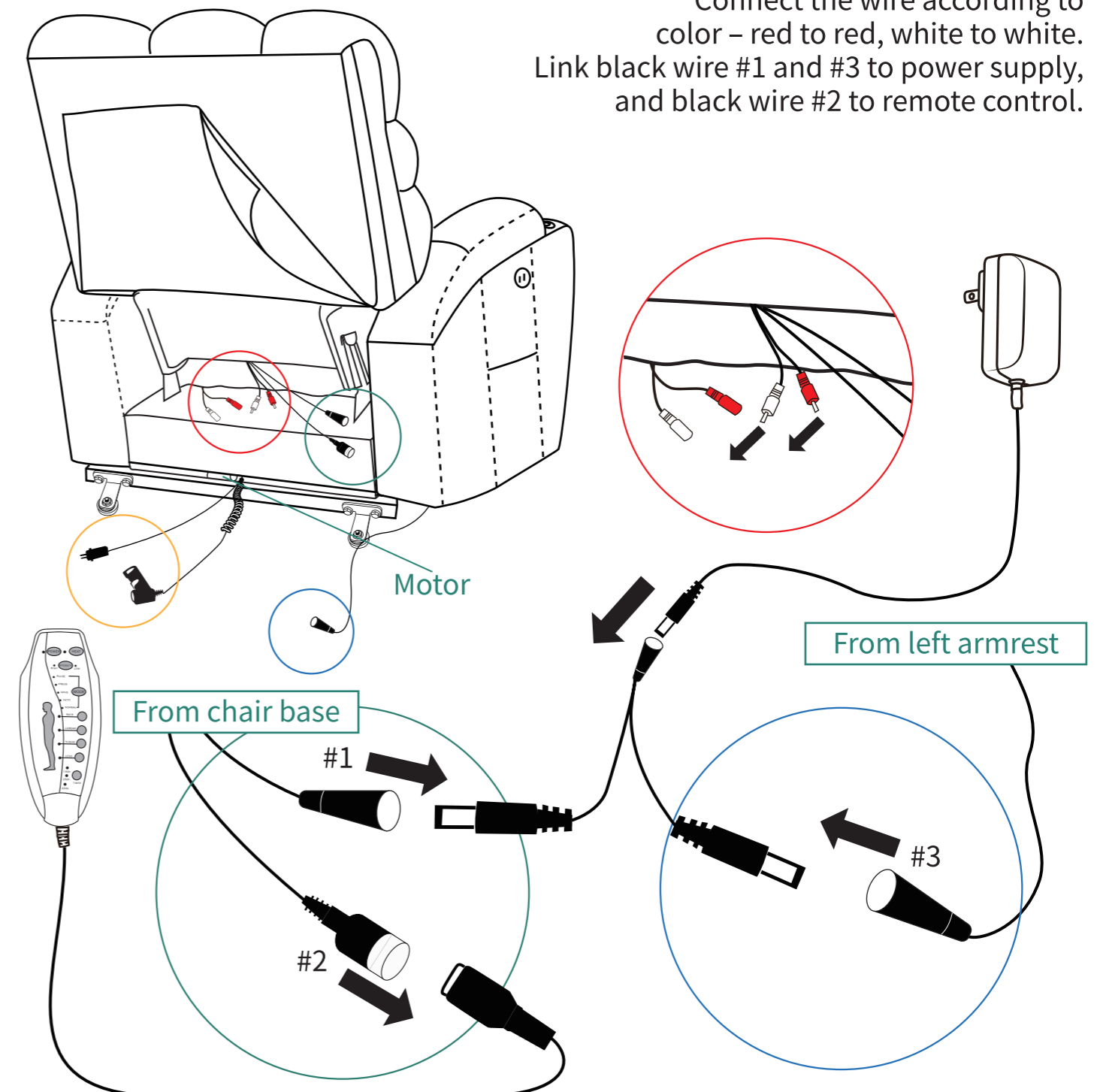
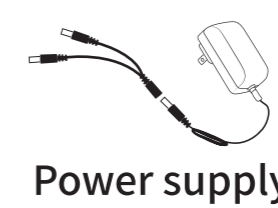
4

3



5

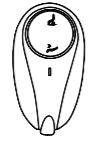
4



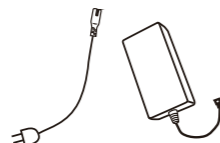
Connect the wire according to color – red to red, white to white. Link black wire #1 and #3 to power supply, and black wire #2 to remote control.

6

4

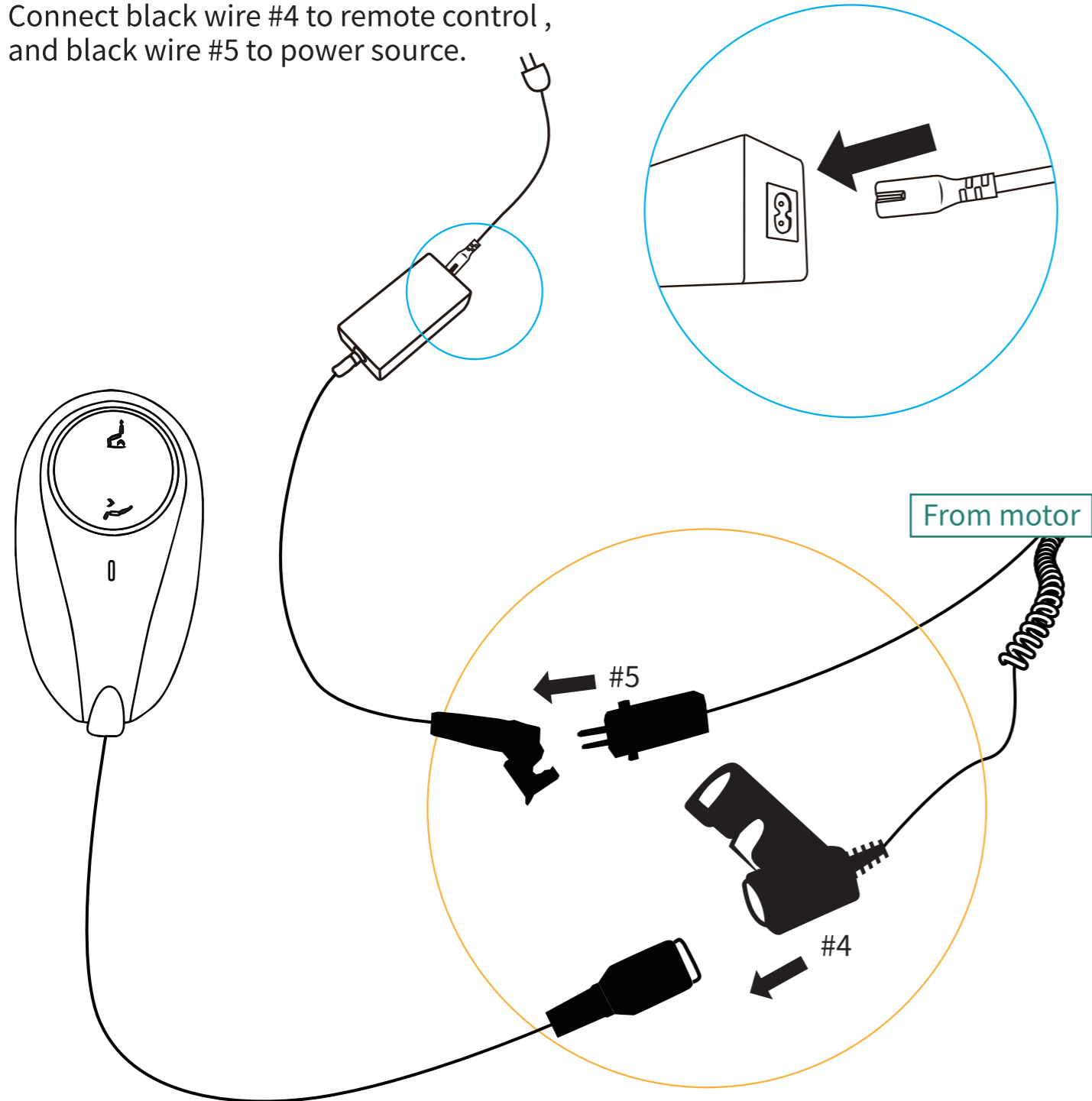


Remote control

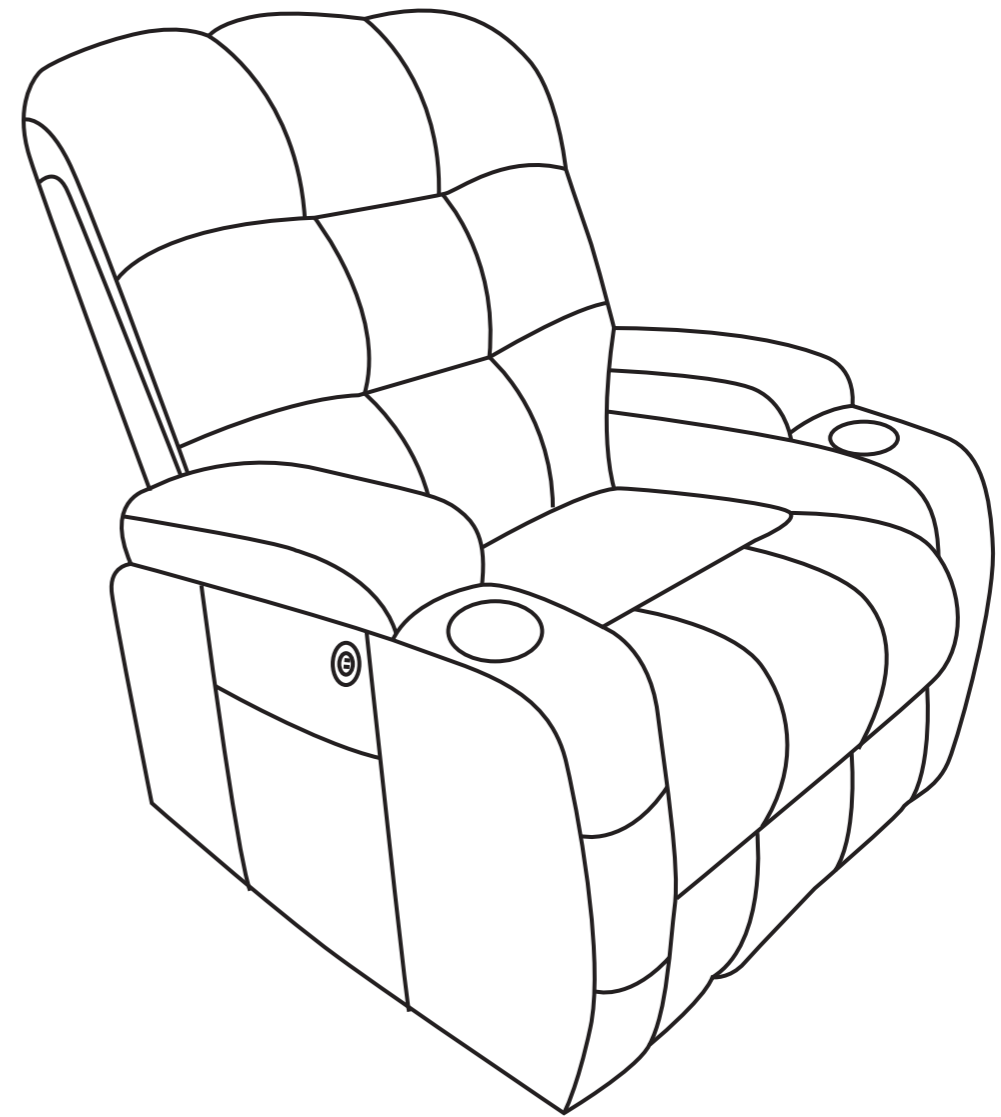


Power source

Connect black wire #4 to remote control, and black wire #5 to power source.

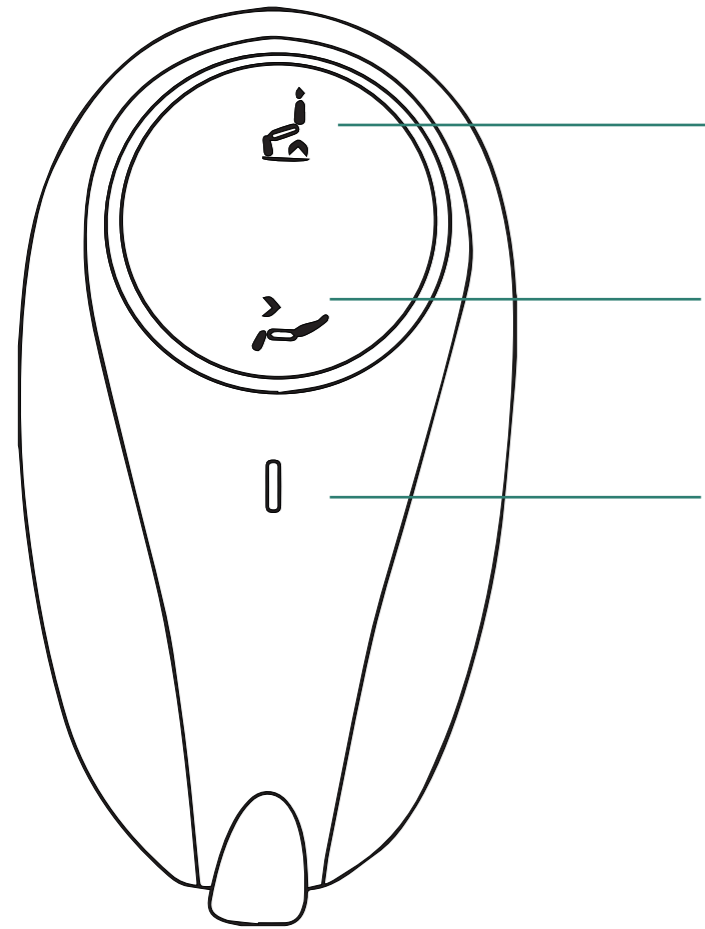


5



Installation Completed

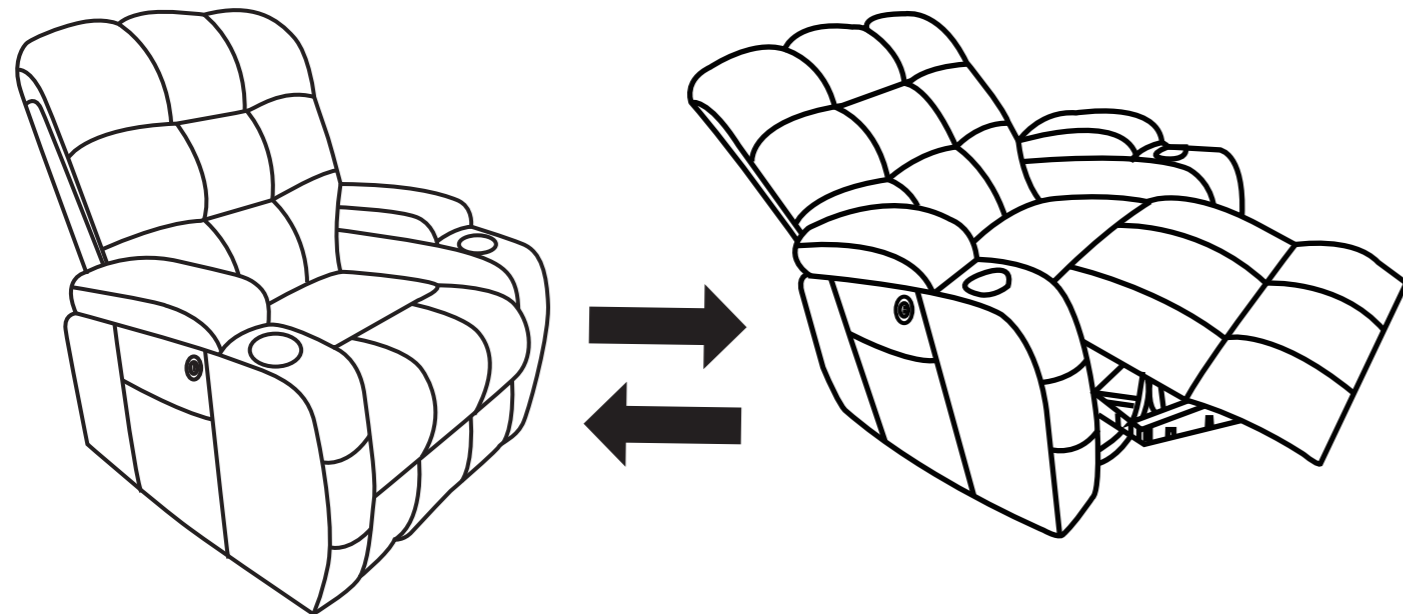
How to recline?



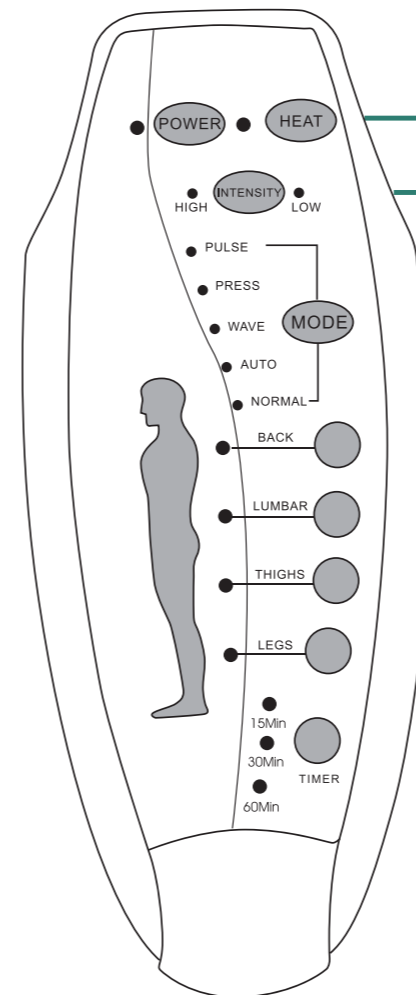
SOFA LIFT :
Lifts the sofa seat.

SOFA RECLINE :
Reclines the sofa seat.

POWER INDICATOR :
Shows the chair's power level.



How to use the massage function?



POWER: Turn on/off remote control.

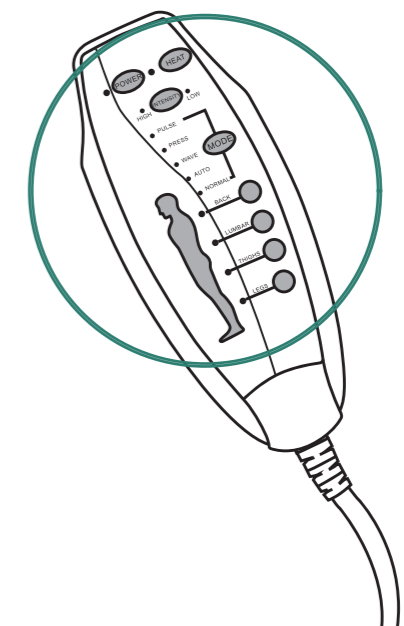
HEAT: Turn on/off heat function for lumbar part only .

INTENSITY: Press to adjust massage intensity (low, high)

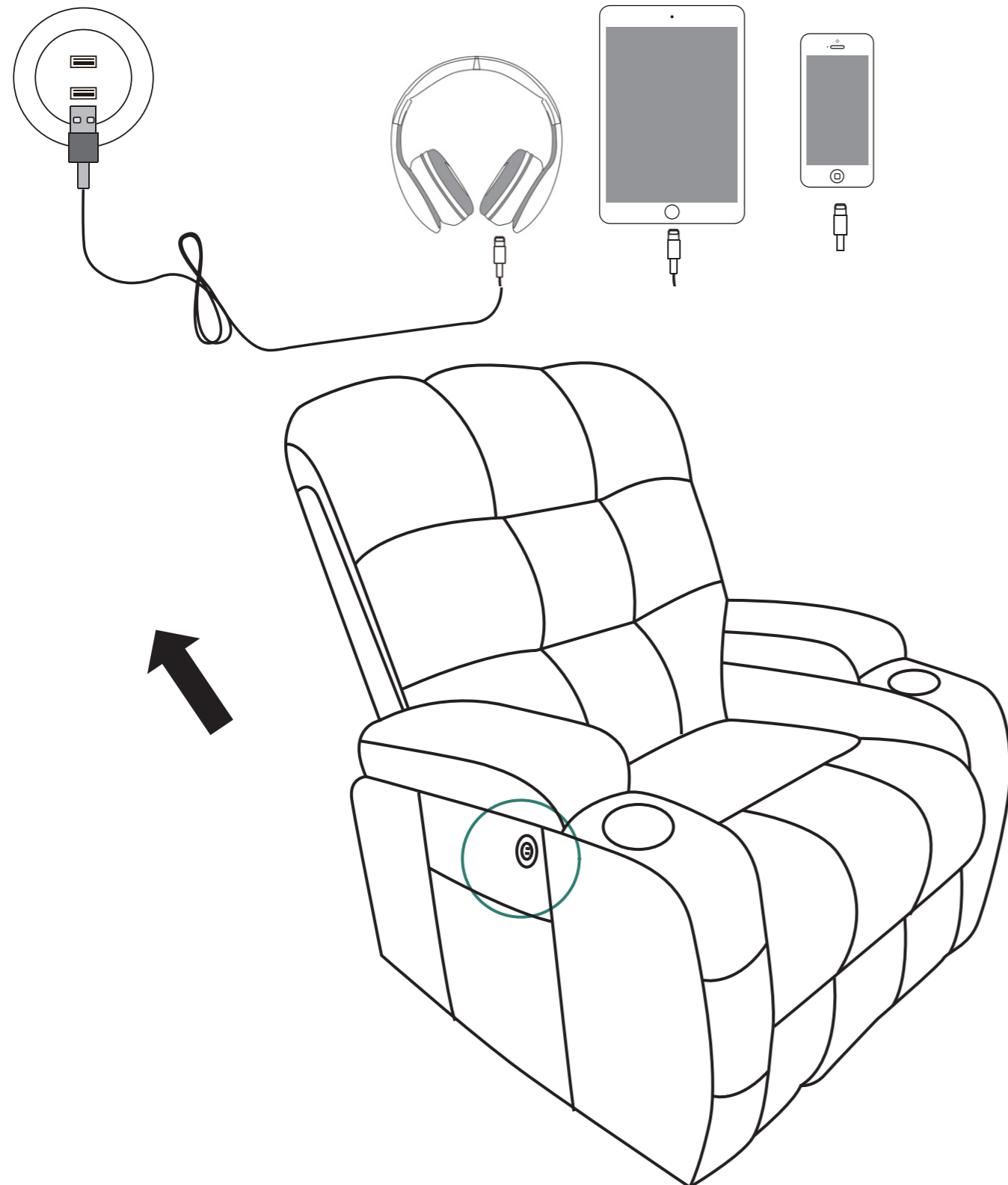
MODE: Press to select 5 different vibration modes (pulse, press, wave, auto, normal).

Press to select which part of body the massage should focus on (back, lumbar, thighs, legs)

TIMER: 15 mins/30 mins/60 mins

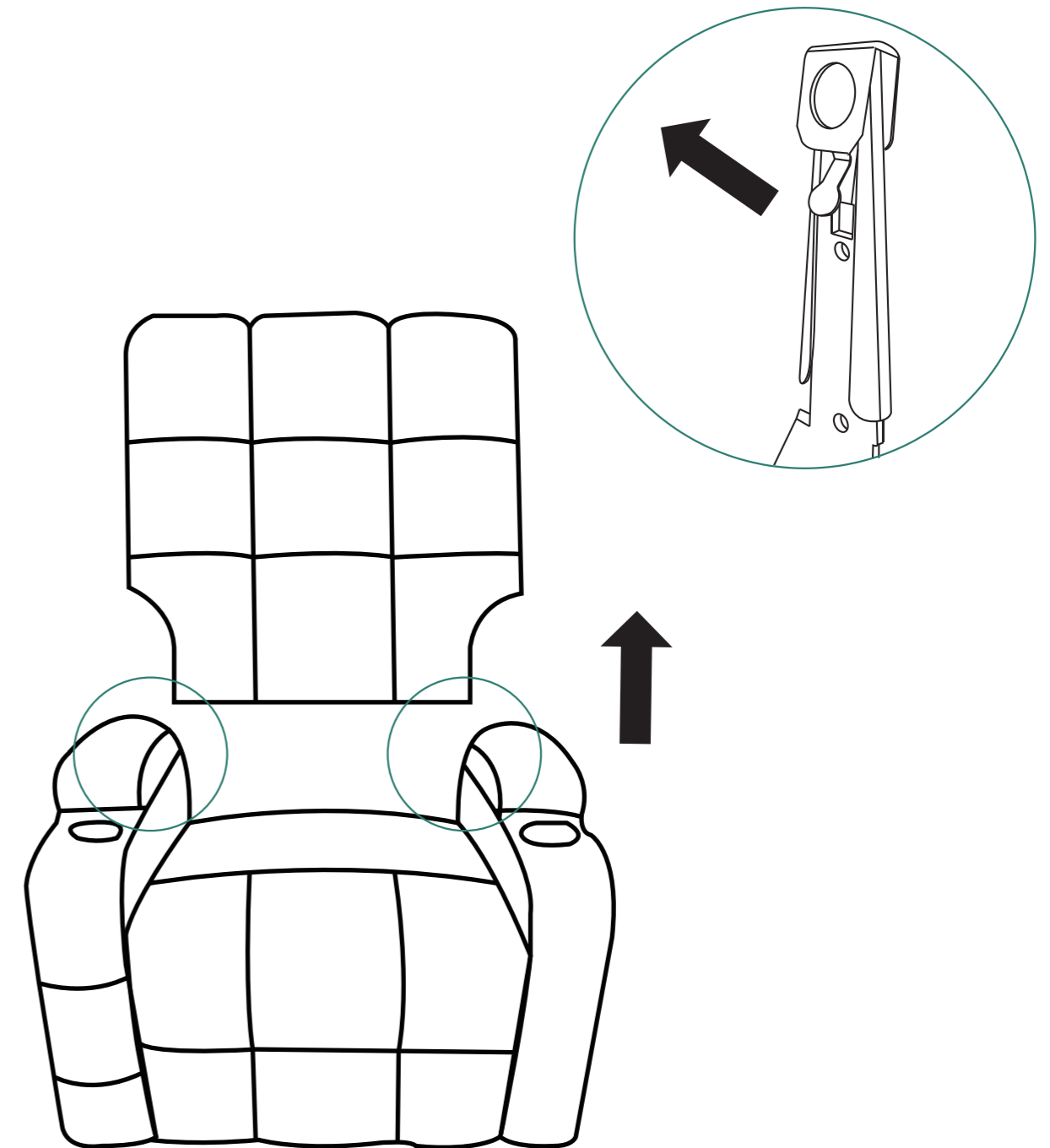


Dual USB charge ports on the outside of the left armrest.



⚠ Please note that you need to take apart the backrest before removing the armrests.

Force apart the buckles while taking the backrest out from the armrests.



Pull out the arms from the chair base.

