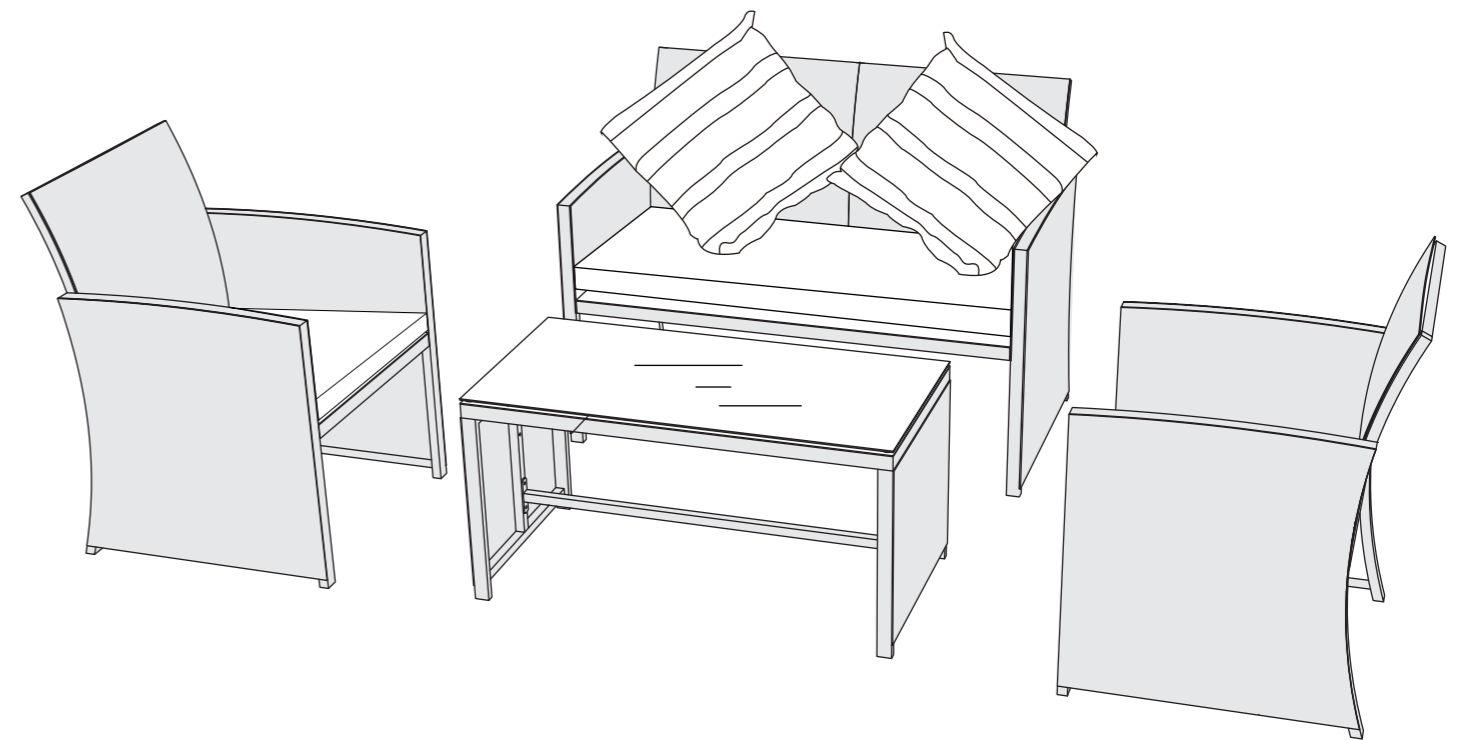


FTPLPB-2000

FTPLPB-2001



### CONTACT US:

If you have any questions about the installation of YITAHOME® products, just contact us at +1 (888) 717-8084 from Monday to Friday 8:00 A.M. – 5:00 P.M. or e-mail us at [yitahome@outlook.com](mailto:yitahome@outlook.com)

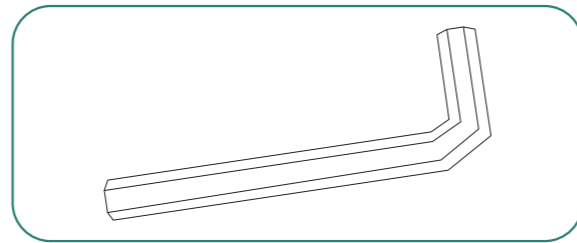
Alternative method to contact us (amazon.com orders only)

1. Log into your Amazon account
2. Go to "Your Orders" and find the purchase
3. Click on "Contact Seller"

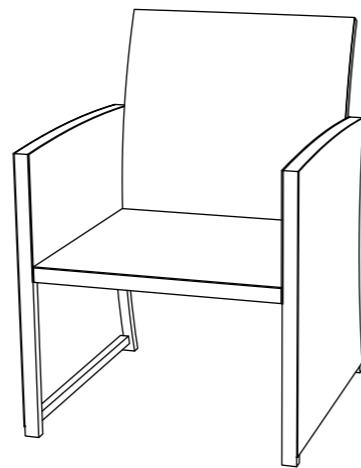
## 4PCS OUTDOOR PATIO FURNITURE SET

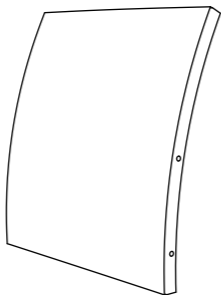
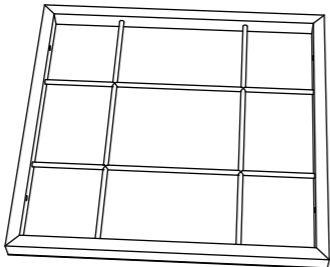
**⚠ Attention:** Do not tighten the screws until you have complete setup assembly.

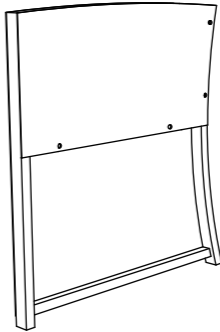
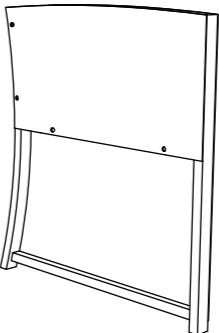
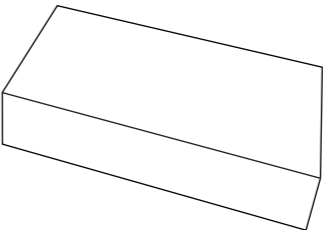
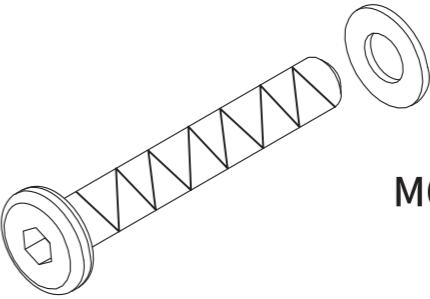
Tools Required For Assembly



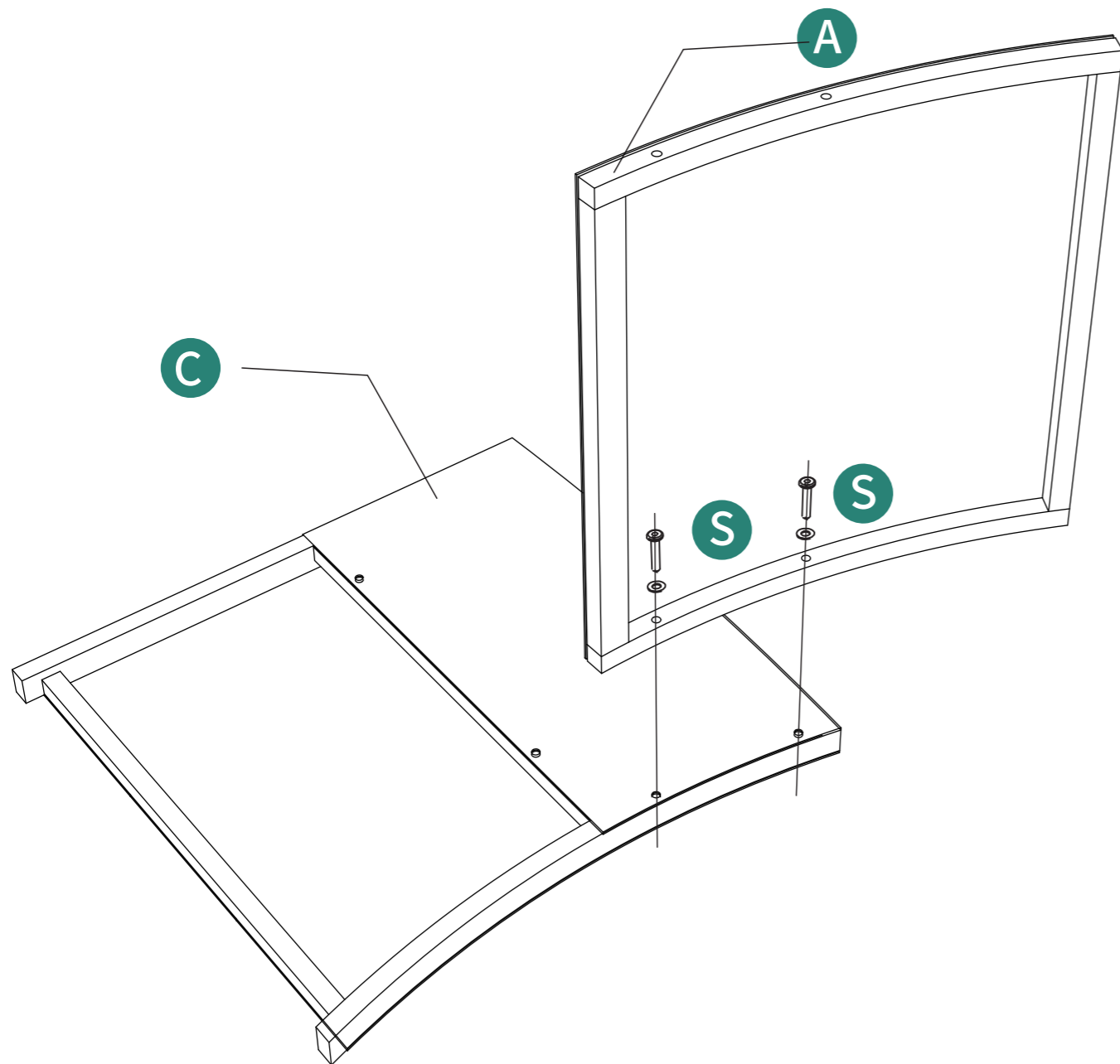
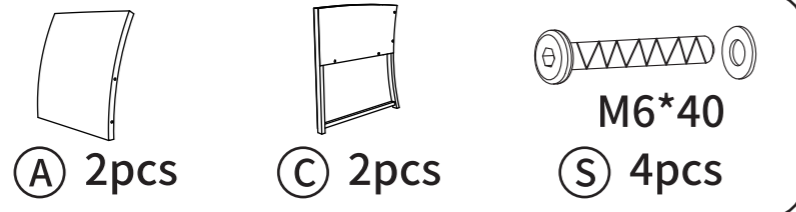
Single Armchair  
X 2



Item no.	Reference Image	Qty.
<b>A</b>		X 2
<b>B</b>		X 2

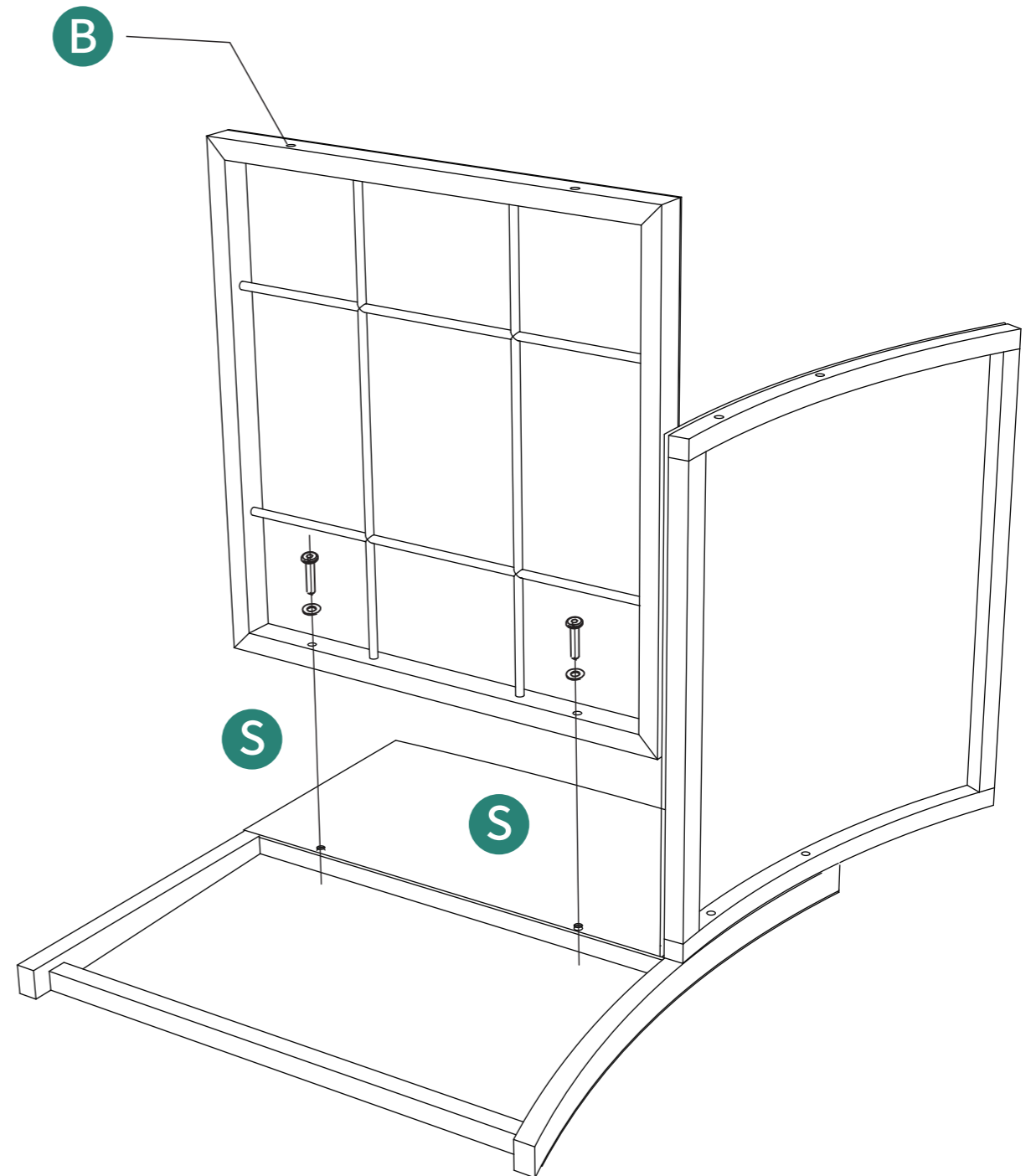
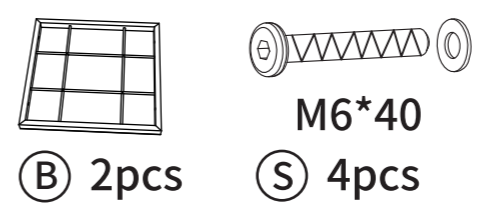
Item no.	Reference Image	Qty.
<b>C</b>		X 2
<b>D</b>		X 2
<b>M</b>		X 2
<b>S</b>	 M6 X 40MM	X 16

**1**  
**X2**



3

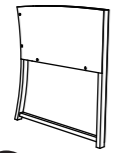
**2**  
**X2**



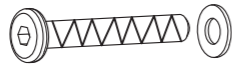
4

3

X2

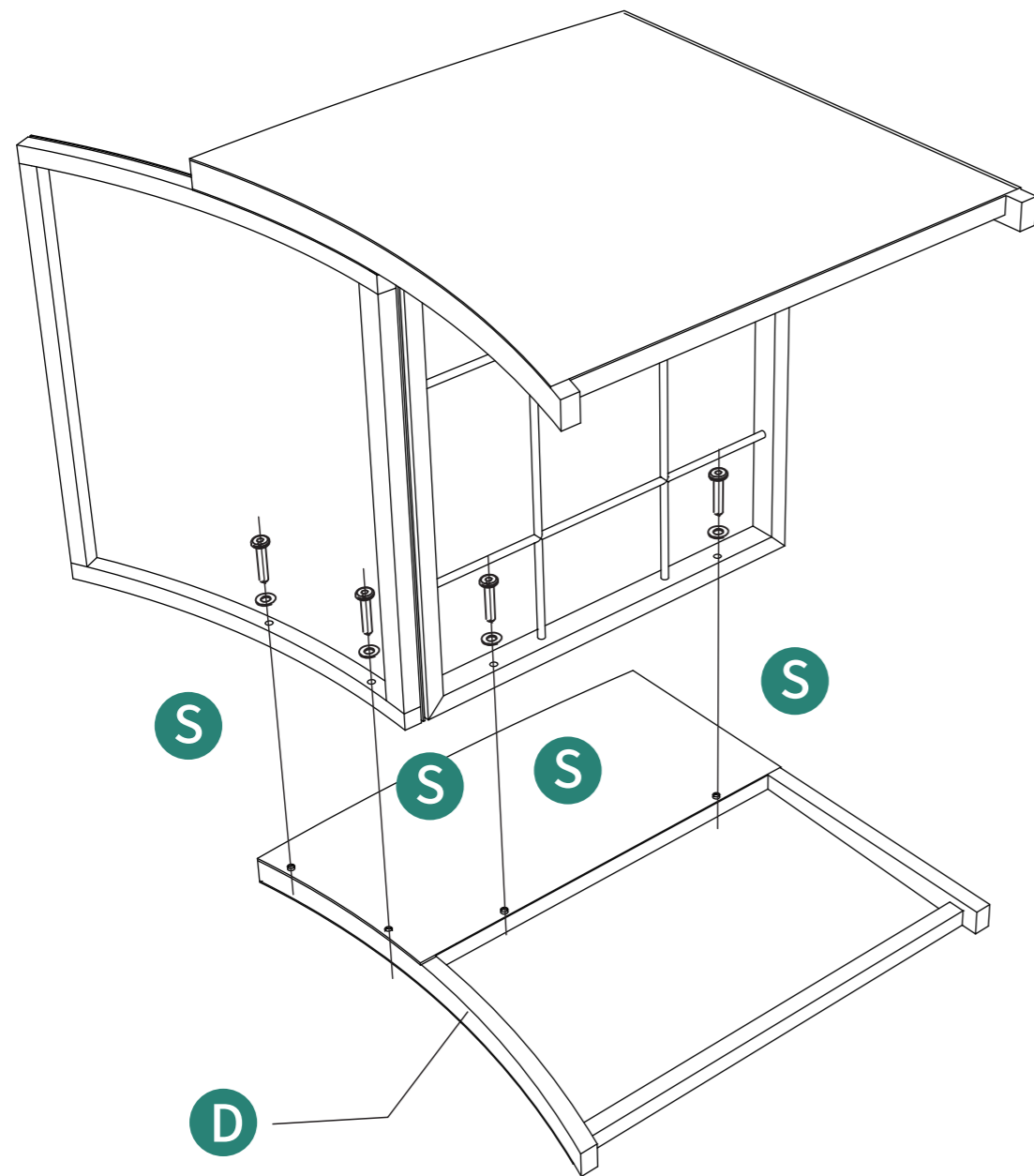


(D) 2pcs



M6\*40

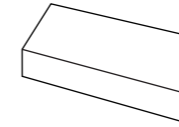
(S) 8pcs



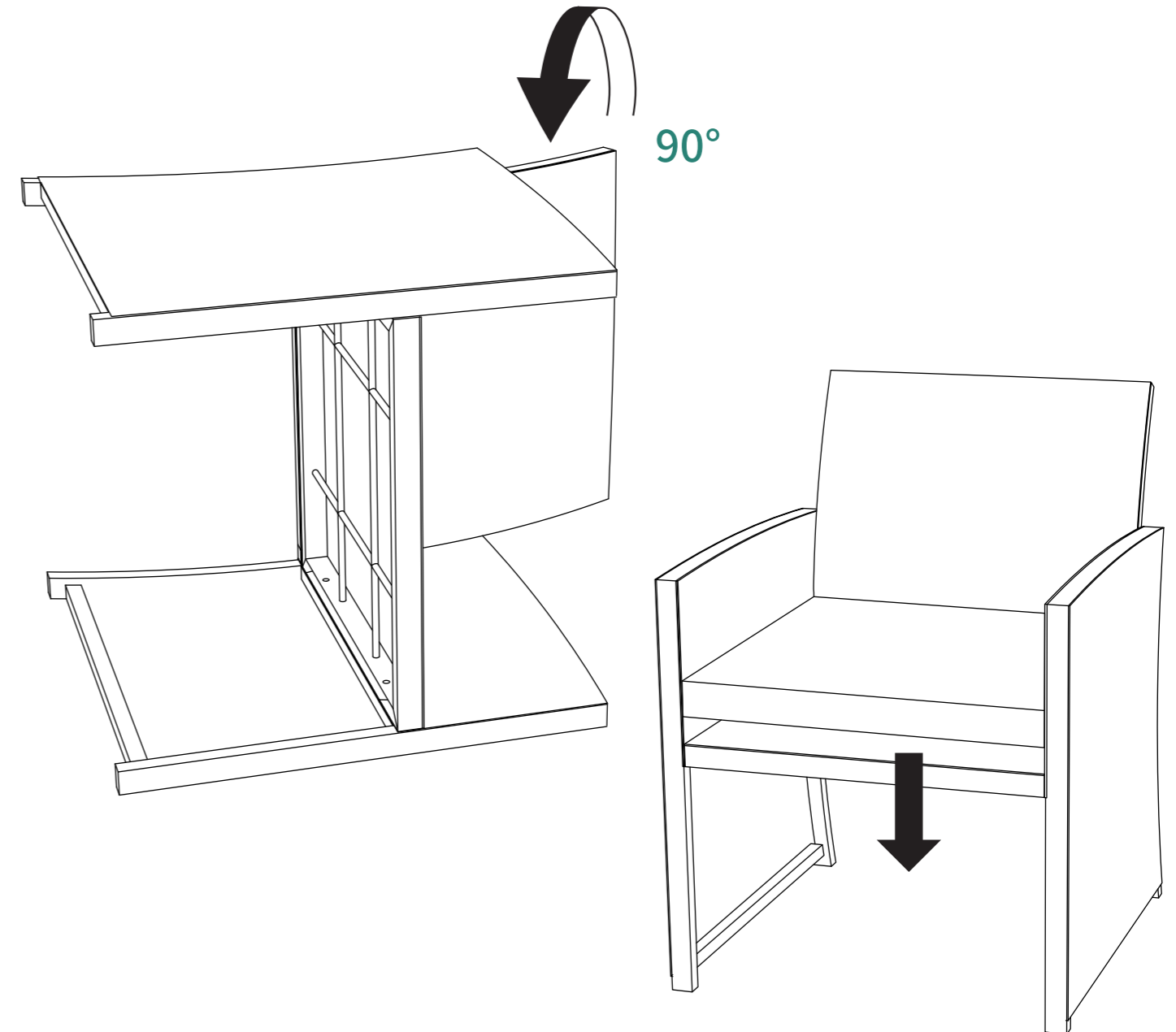
5

4

X2



(M) 2pcs

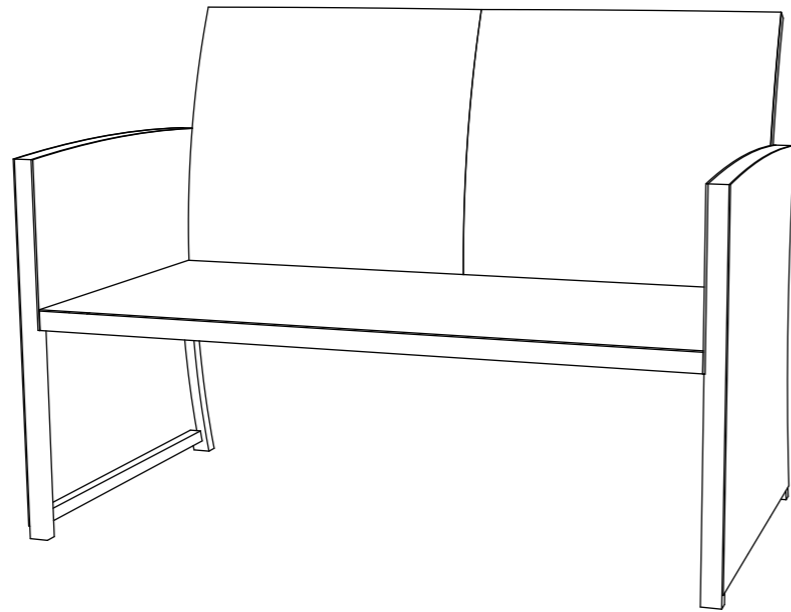


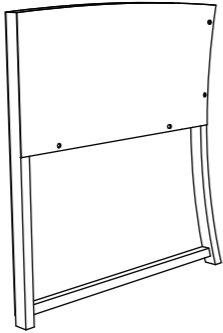
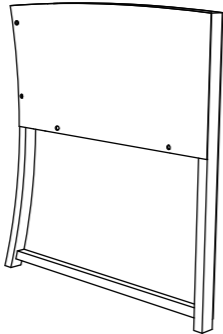
90°

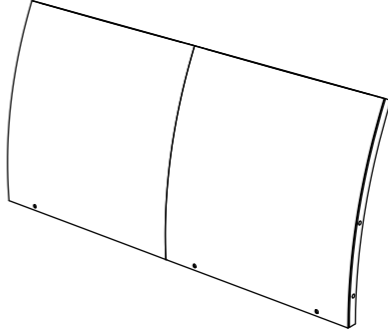
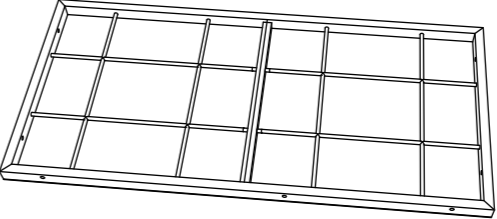
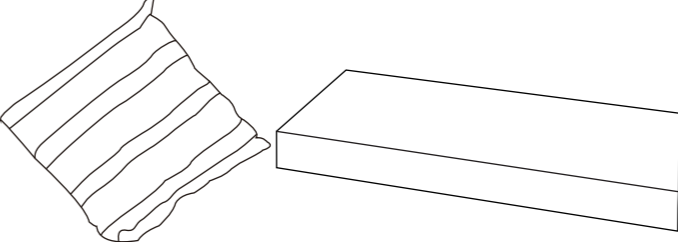
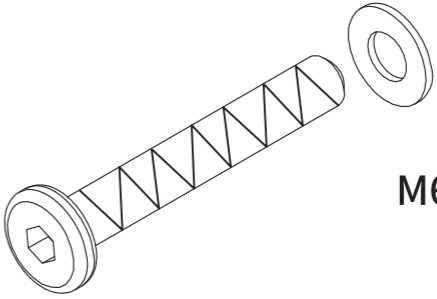
Installation Completed

6

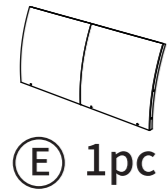
Loveseat



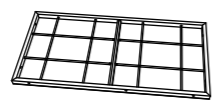
Item no.	Reference Image	Qty.
<b>C</b>		X 1
<b>D</b>		X 1

Item no.	Reference Image	Qty.
<b>E</b>		X 1
<b>F</b>		X 1
<b>M</b>		X 2
<b>S</b>	 M6 X 40MM	X 11

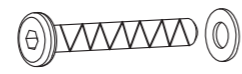
# 1



ⓔ 1pc

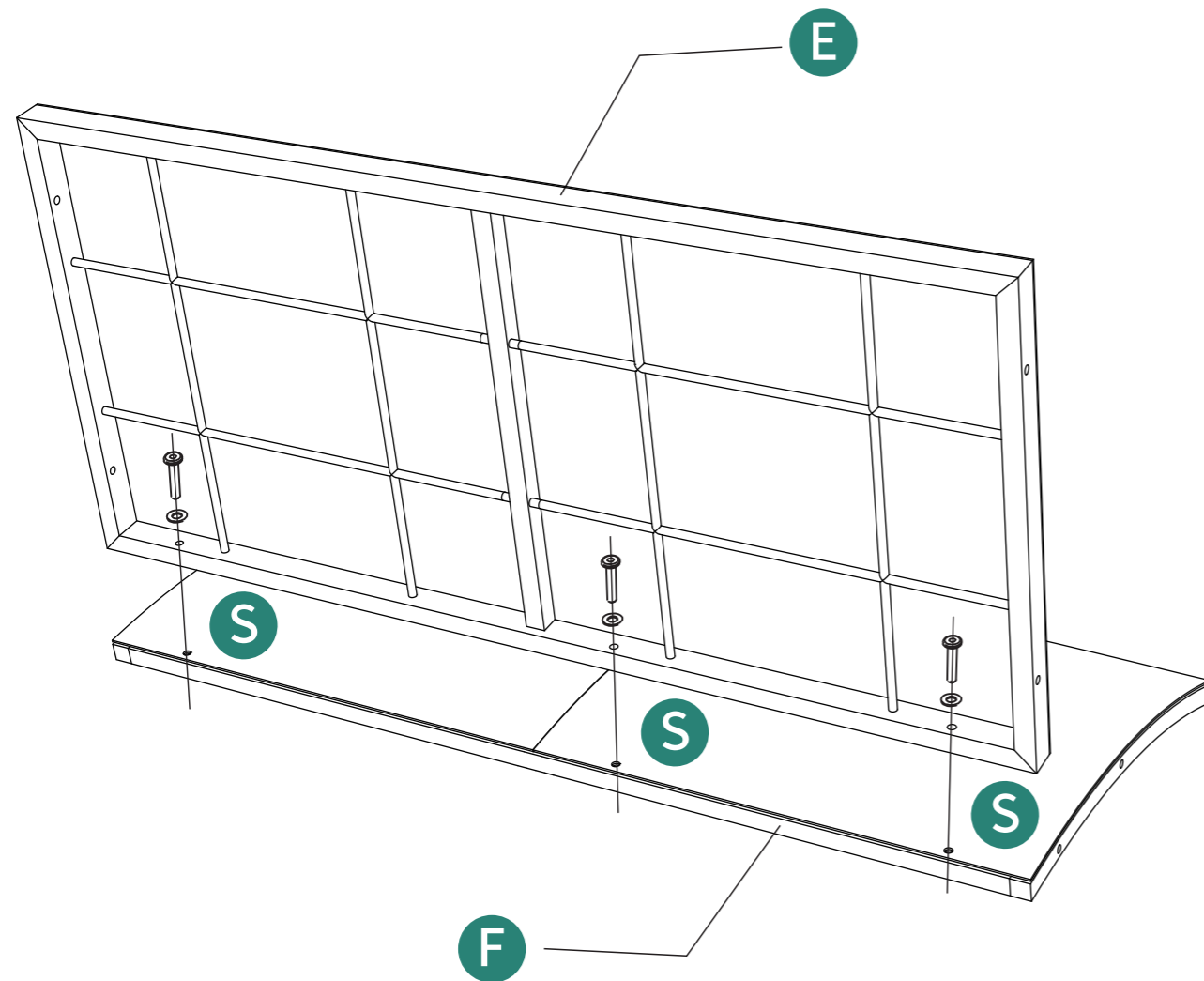


ⓕ 1pc



M6\*40

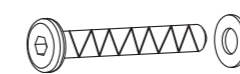
Ⓢ 3pcs



# 2

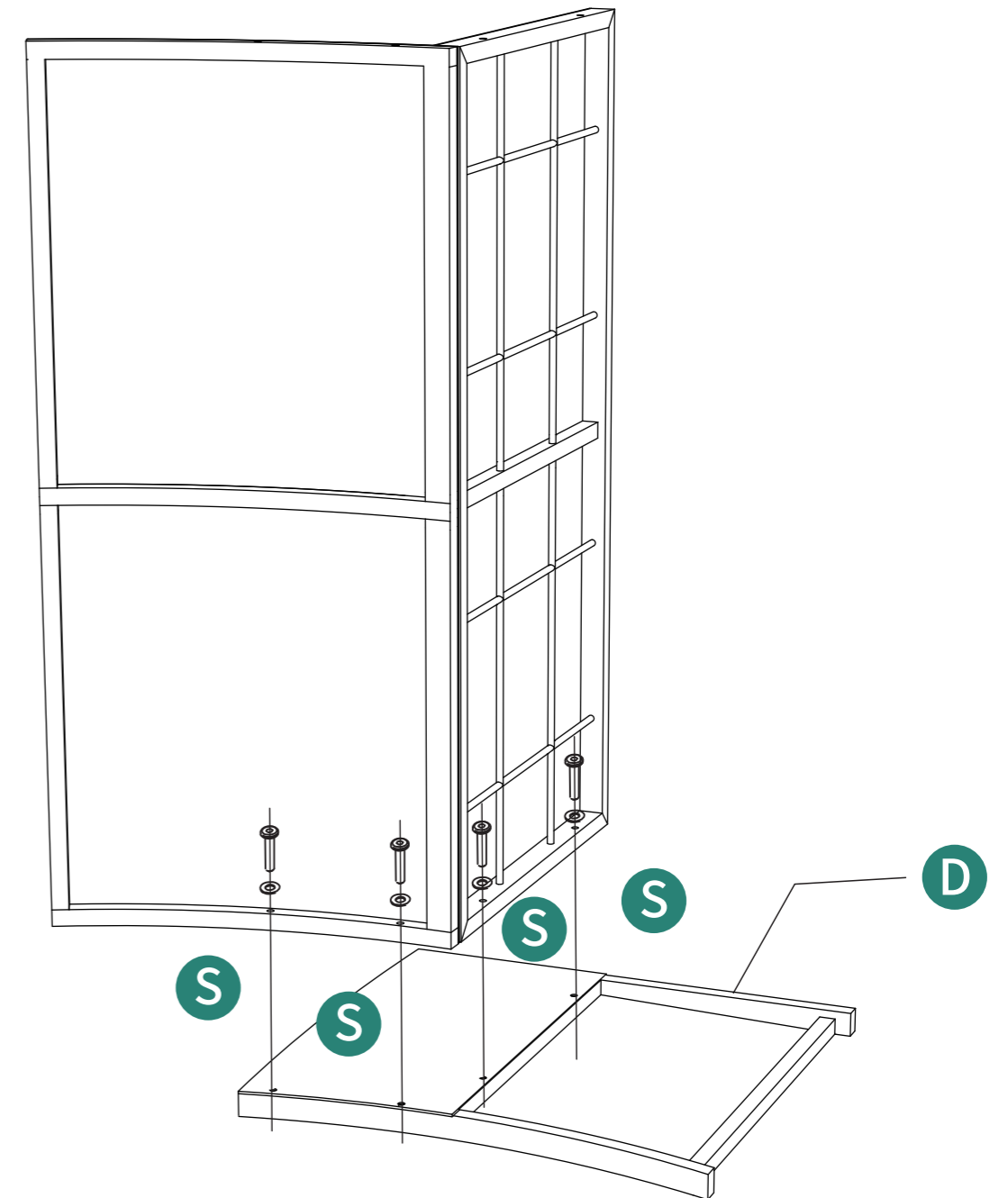


ⓓ 1pc

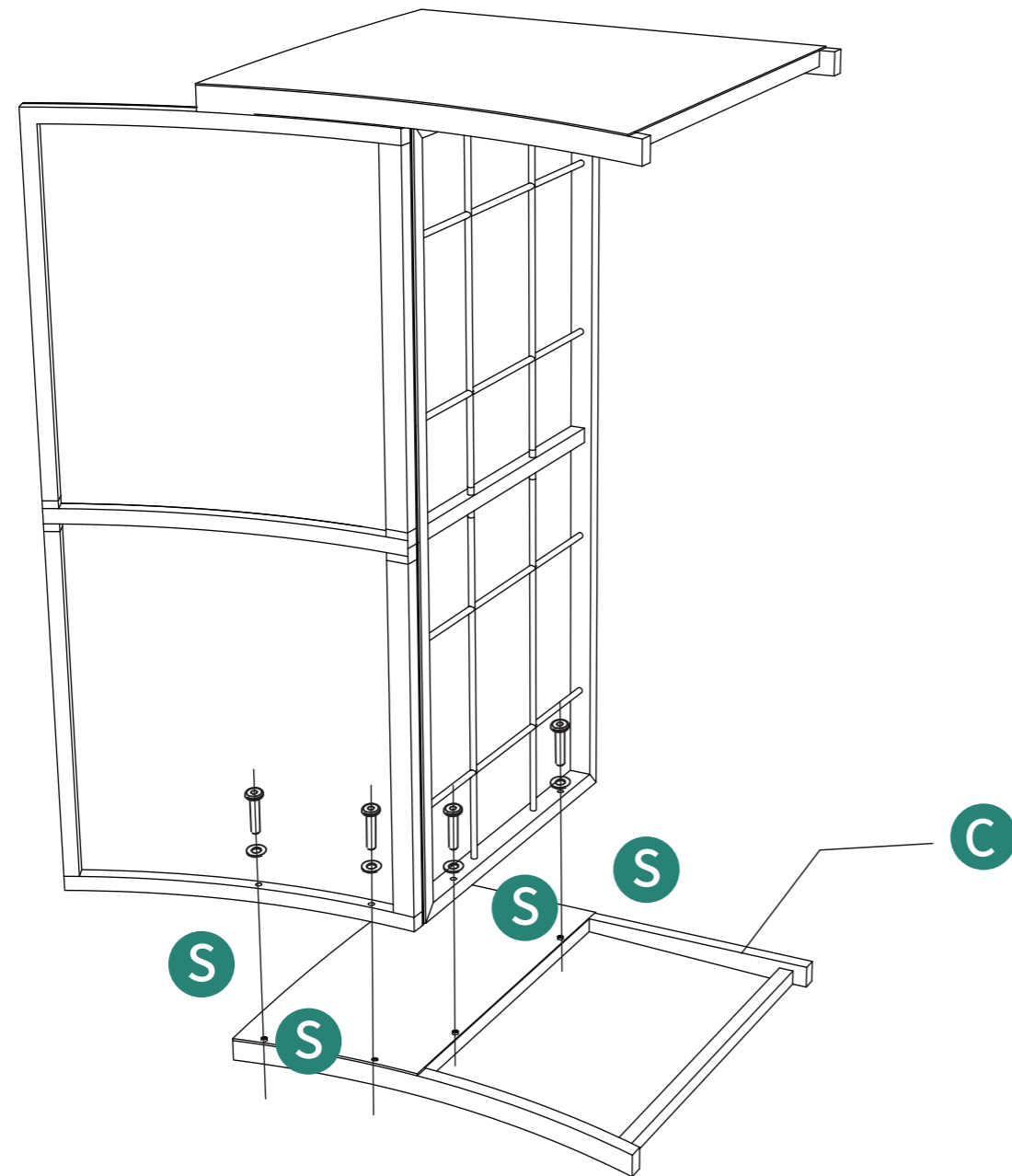
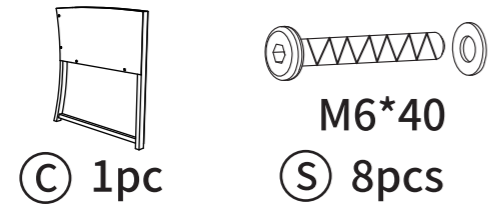


M6\*40

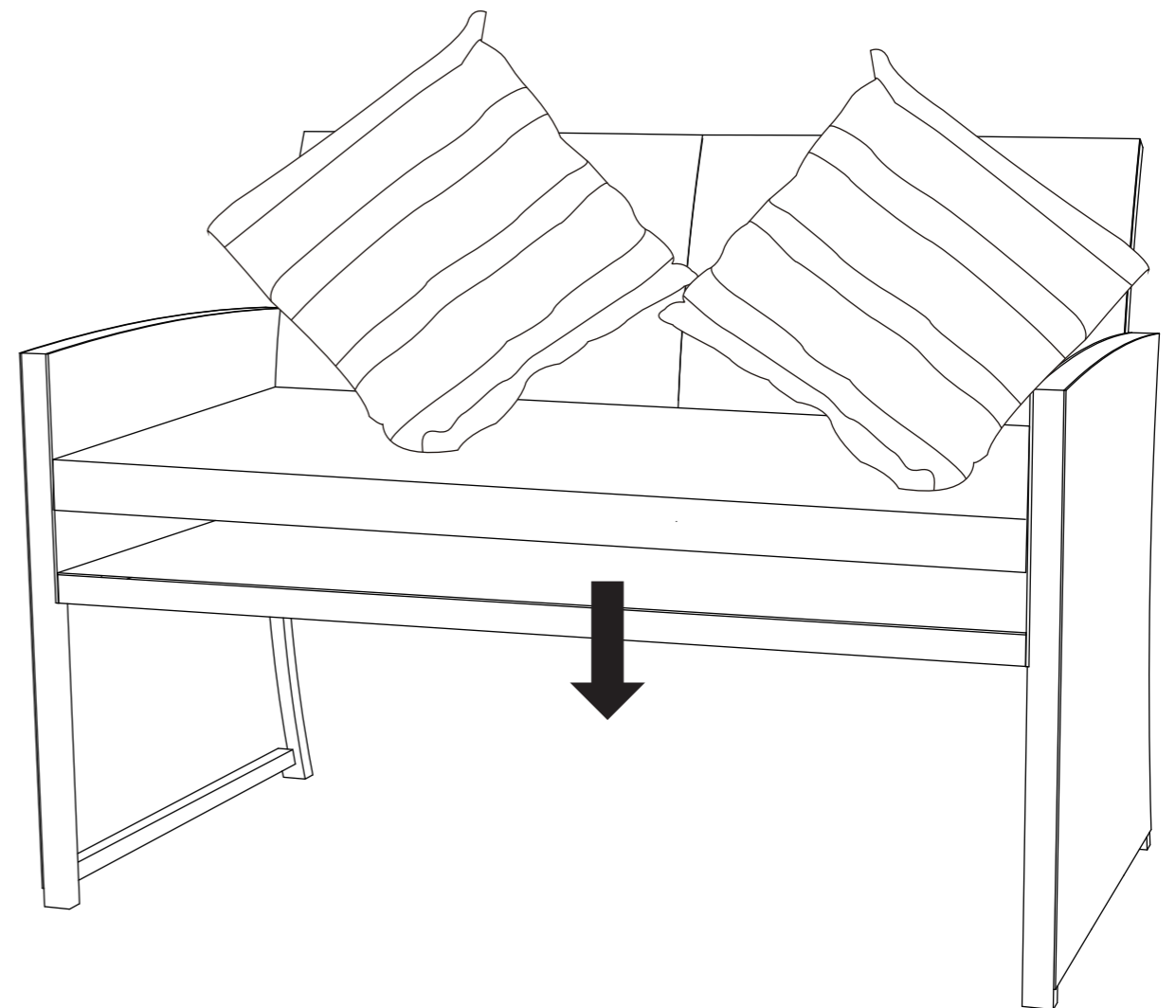
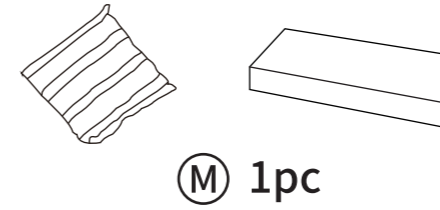
Ⓢ 2pcs



### 3

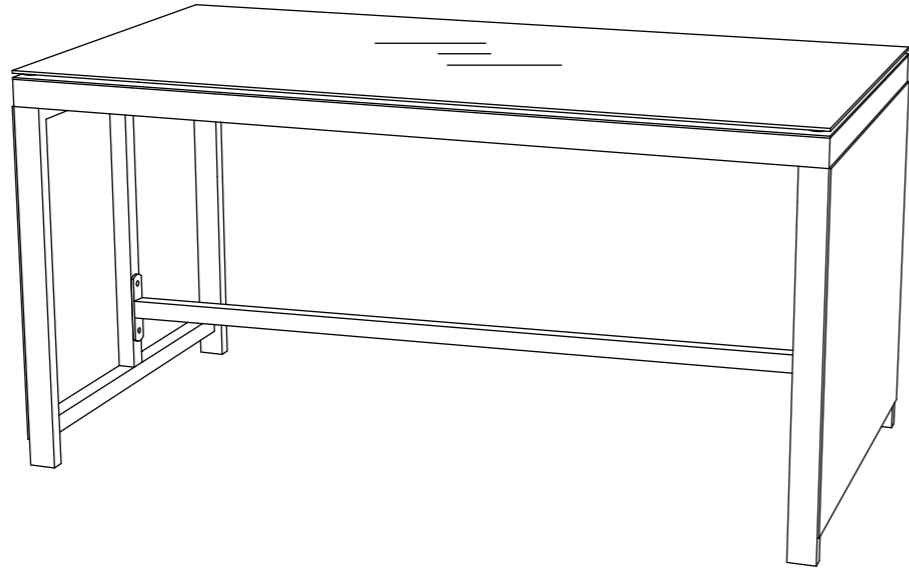


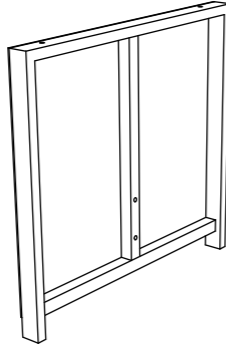
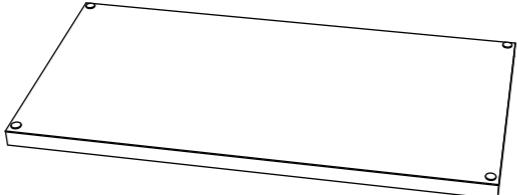
### 4


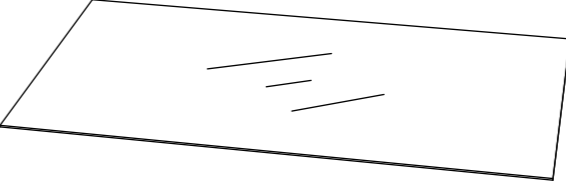
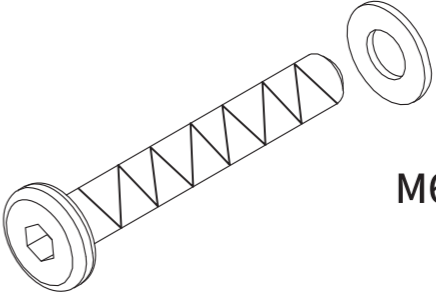
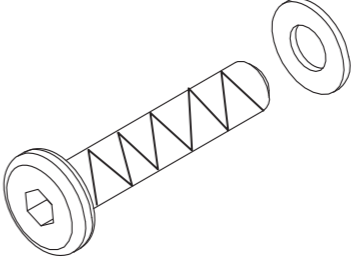


Installation Completed

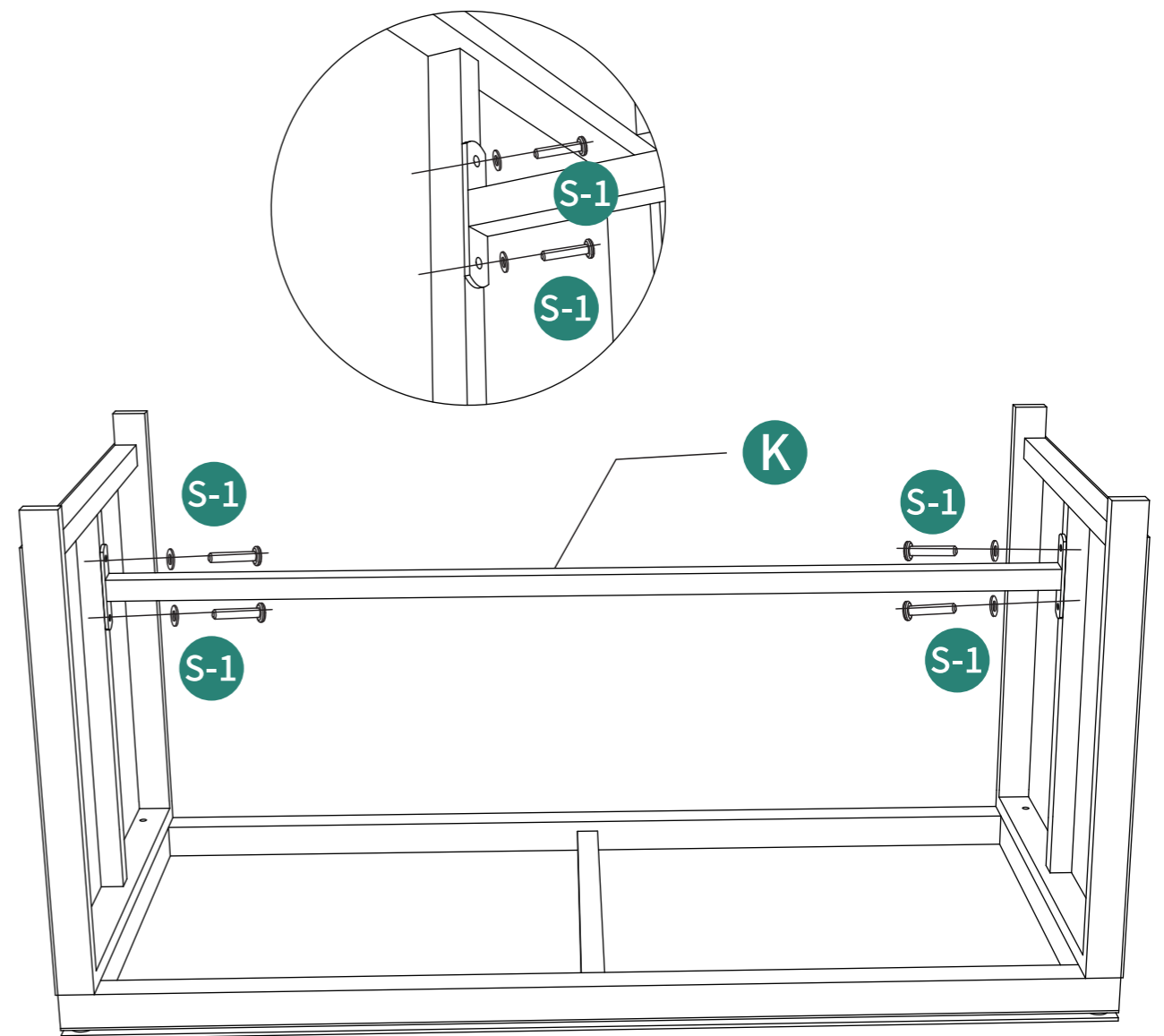
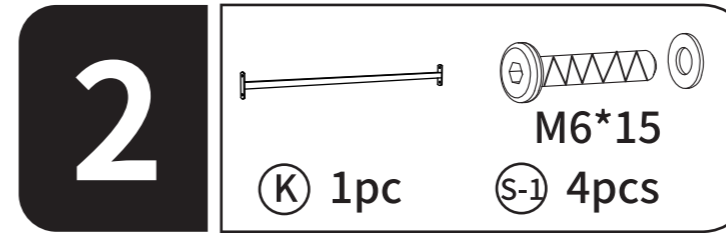
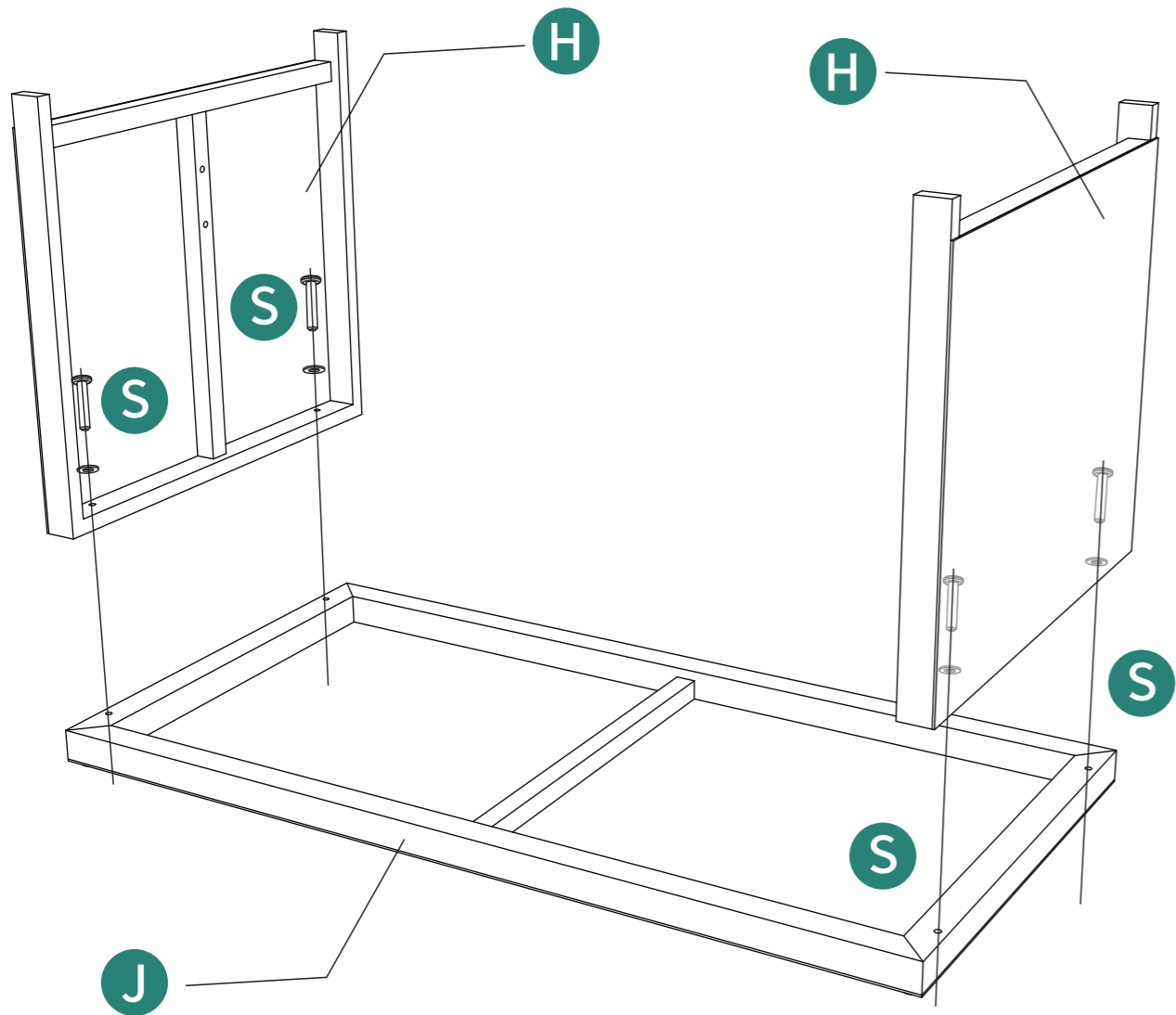
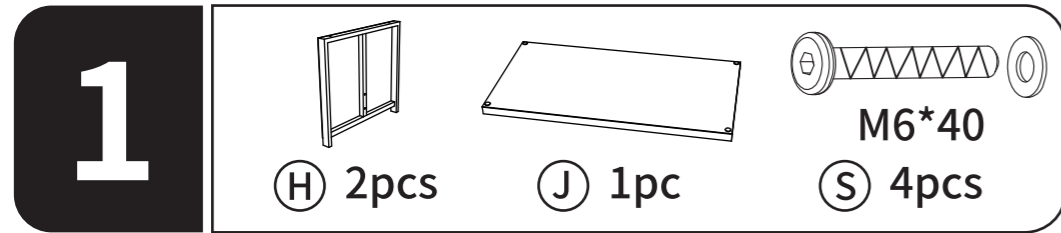
Coffee Table



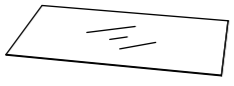
Item no.	Reference Image	Qty.
<b>H</b>		X 2
<b>J</b>		X 1

Item no.	Reference Image	Qty.
<b>K</b>		X 1
<b>L</b>		X 1
<b>S</b>	 M6 X 40MM	X 4
<b>S-1</b>	 M6 X 15MM	X 4

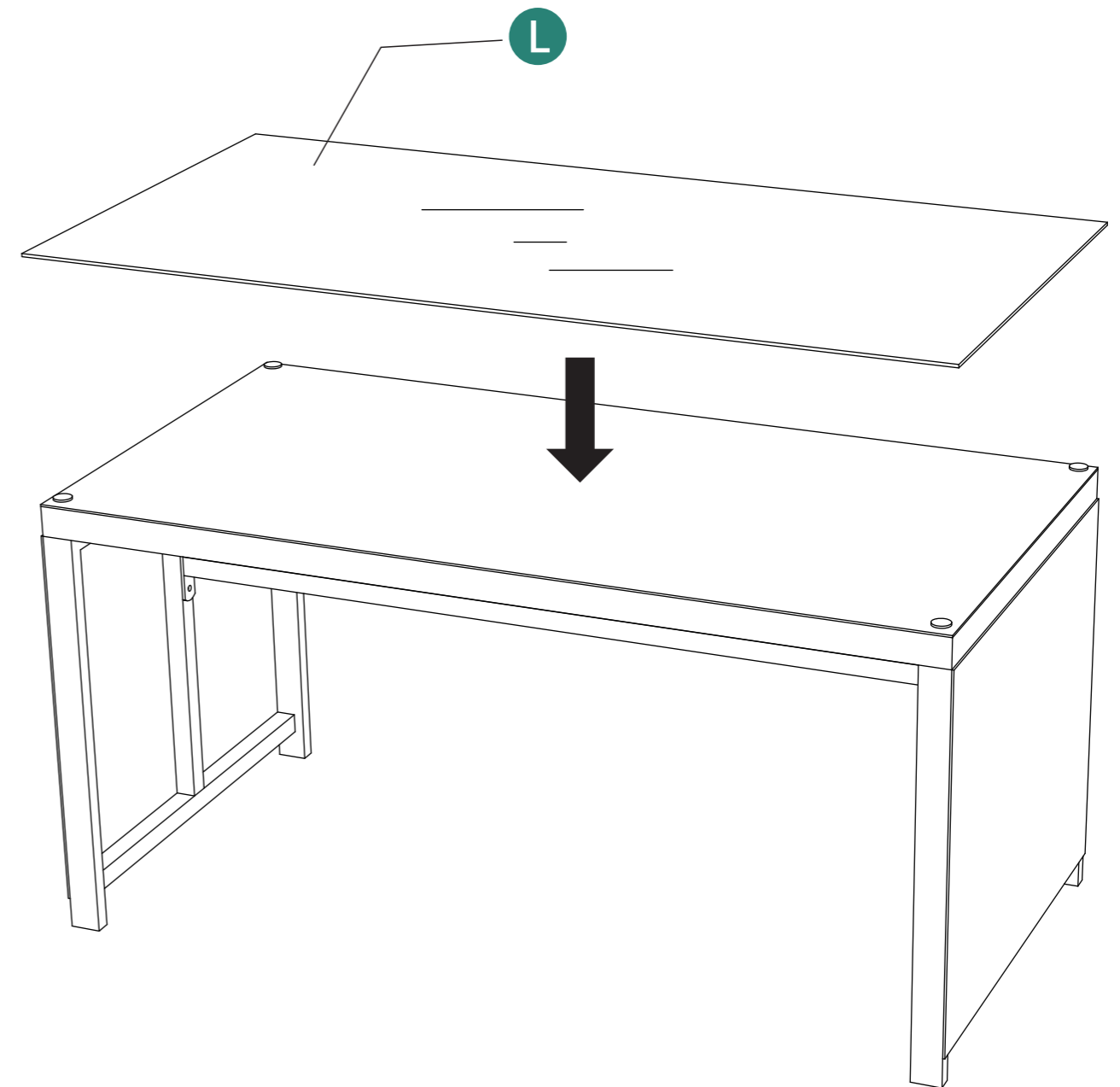
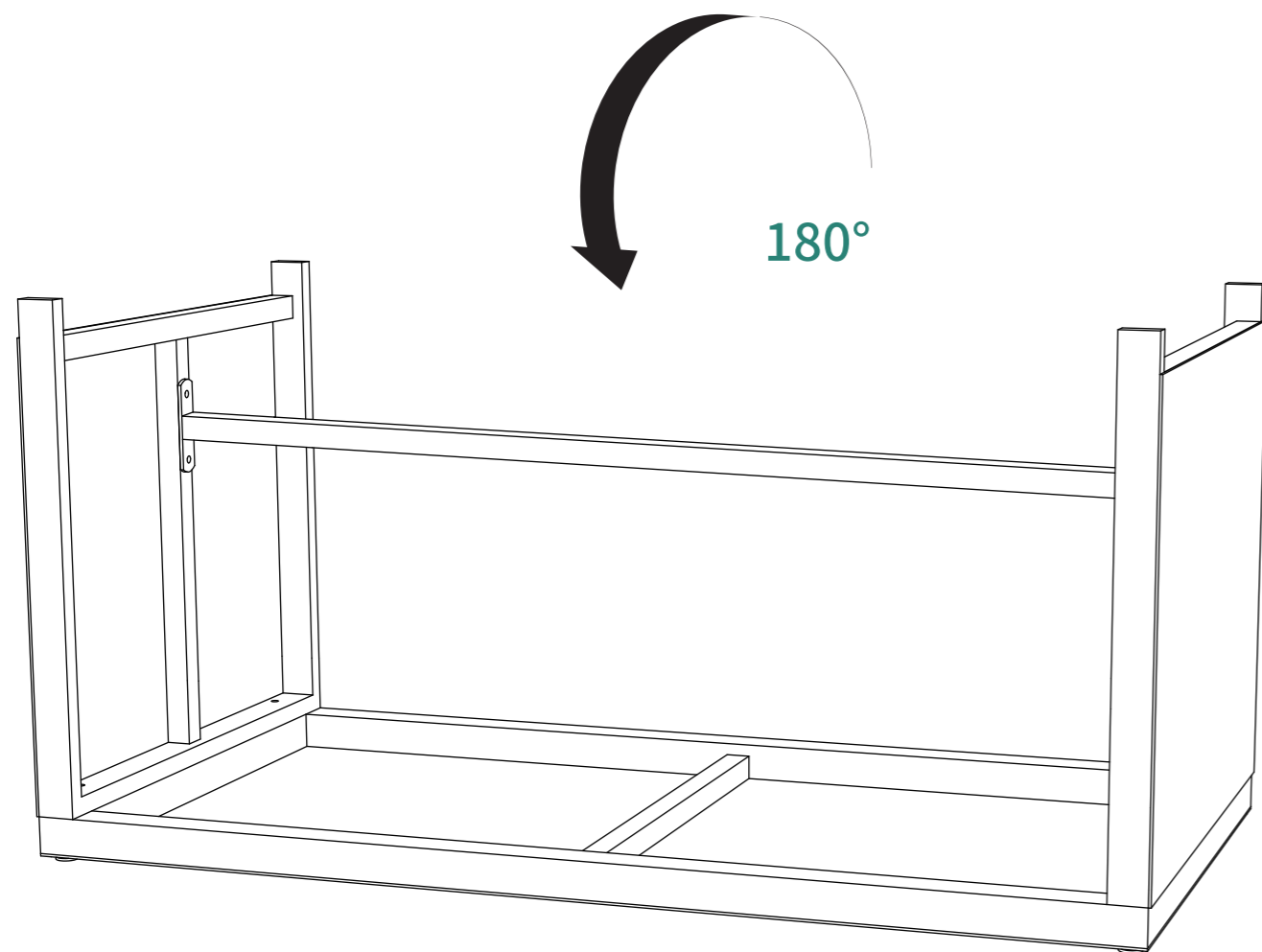




**3**



Ⓛ 1pc



Installation Completed