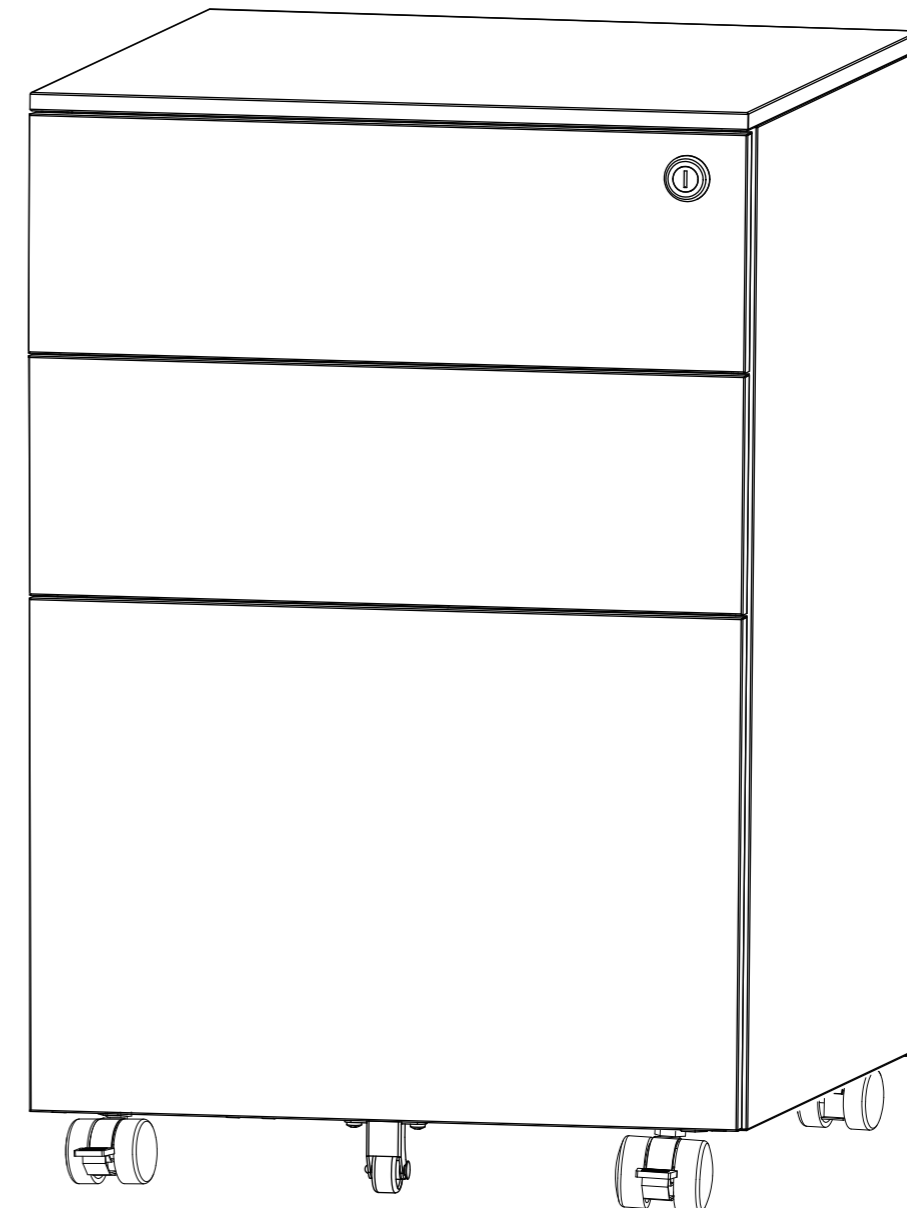


FTOFSF-0020
FTOFSF-0021
FTOFSF-0022



MOBILE STEEL FILE CABINET

CONTACT US:

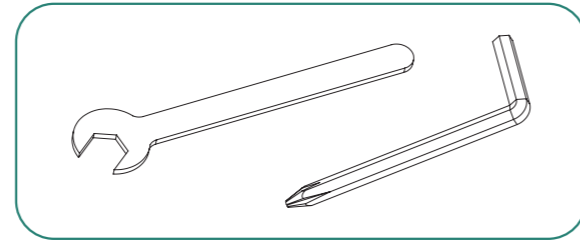
If you have any questions about the installation of YITAHOME® products, just contact us at +1 (888) 717-8084 from Monday to Friday 8:00 A.M. – 5:00 P.M. or e-mail us at yitahome@outlook.com

Alternative method to contact us (amazon.com orders only)

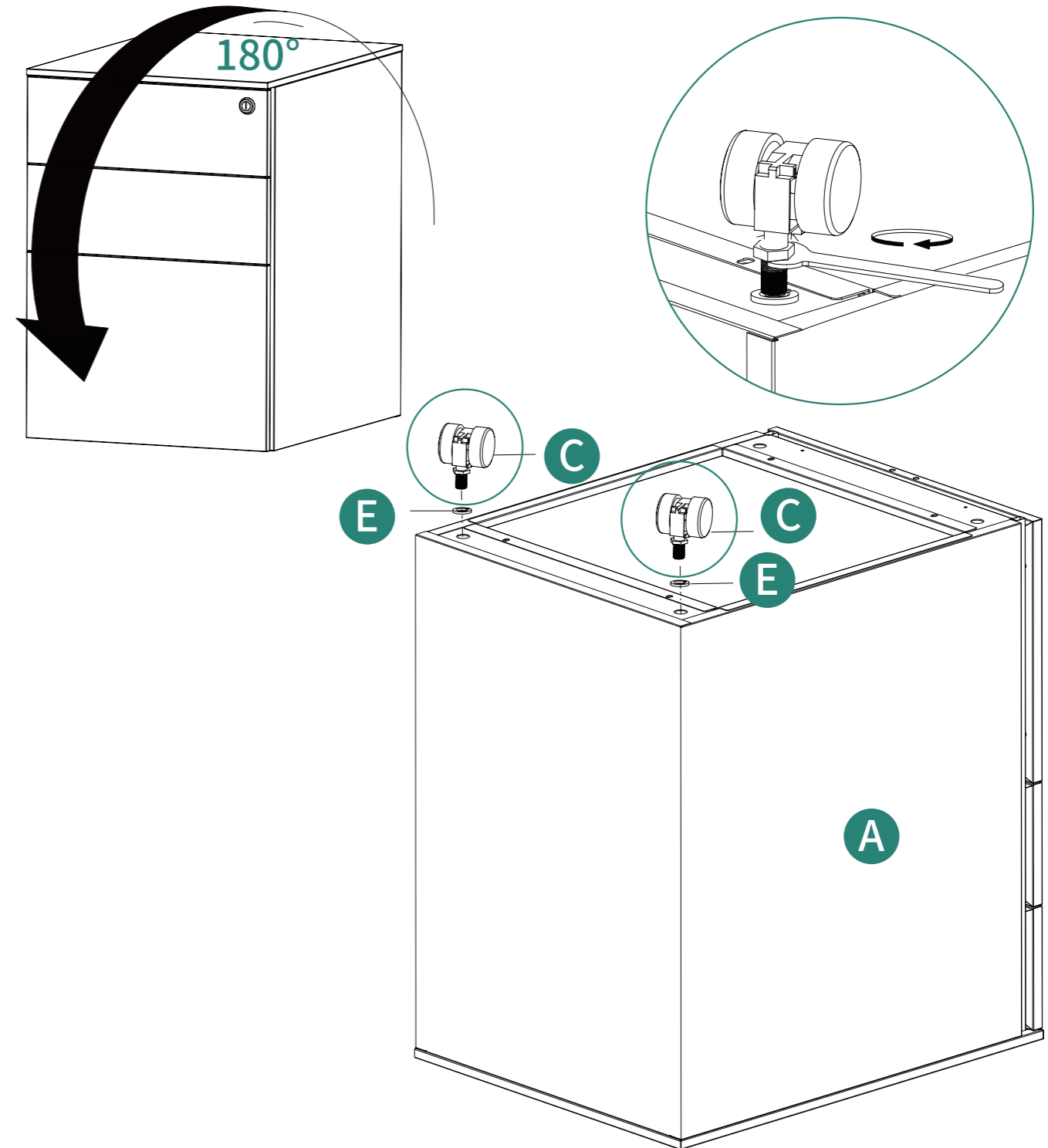
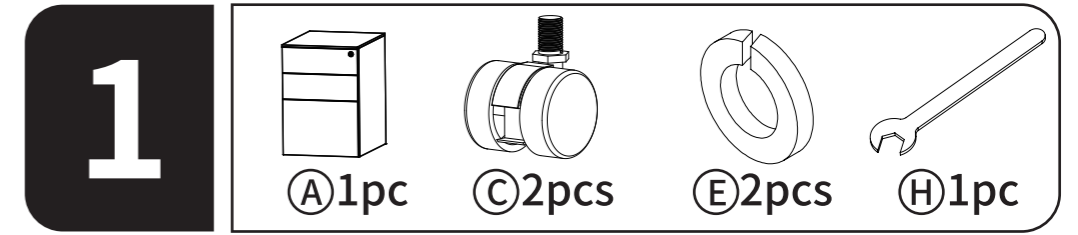
1. Log into your Amazon account
2. Go to "Your Orders" and find the purchase
3. Click on "Contact Seller"

- ⚠ 1. Gather and organize all required parts before assembling.
- 2. Assemble cabinet on a flat, clean surface.

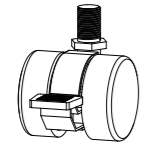
Tools Required For Assembly



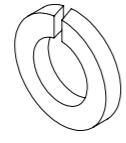
Item no.	Reference Image	Qty.	Item no.	Reference Image	Qty.
A		X1	F		X2
B		X2	G		X1
C		X2	H		X1
D		X1	I		X1
E		X4	J		X1
			K		X1



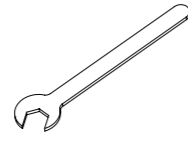
2



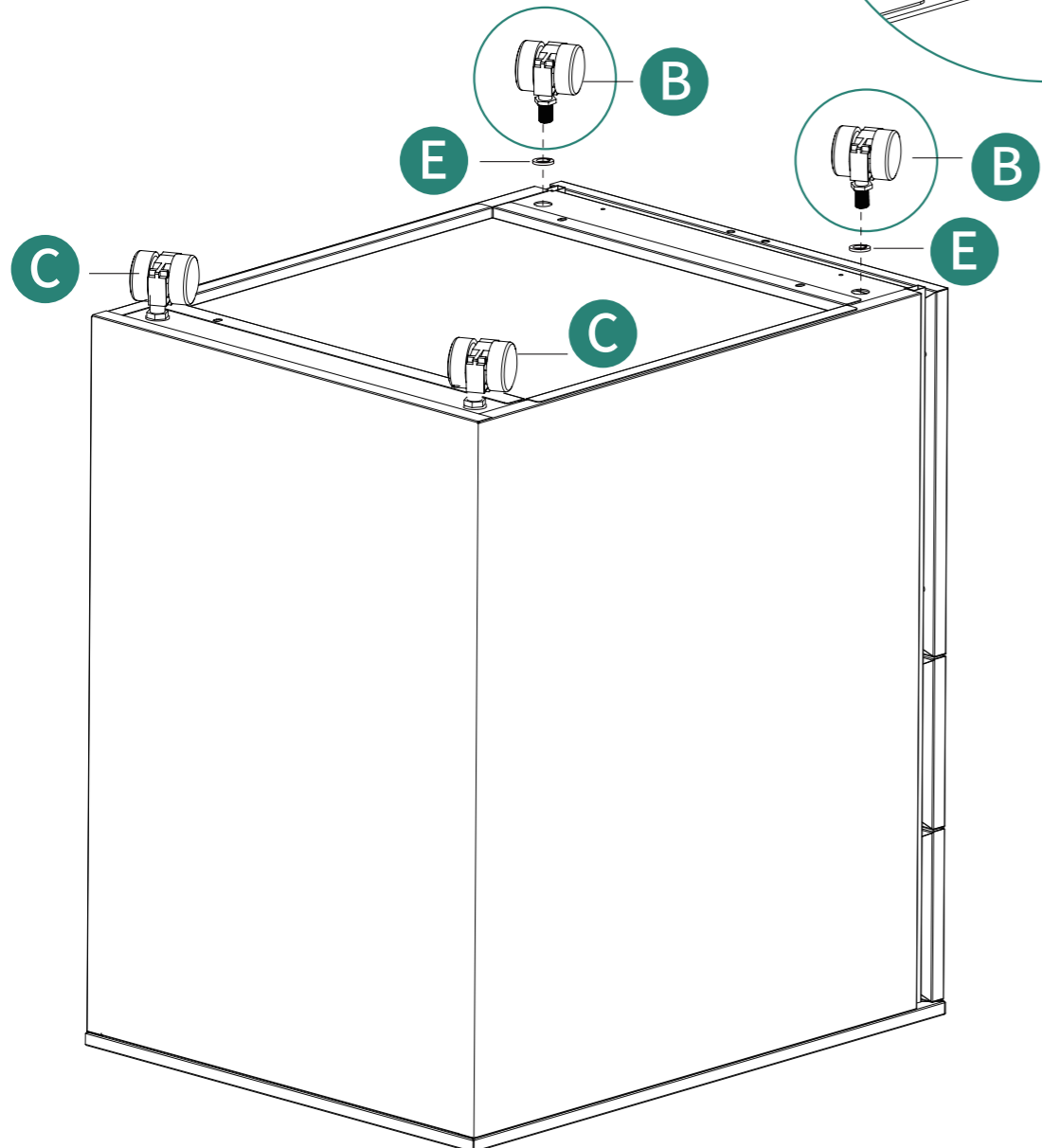
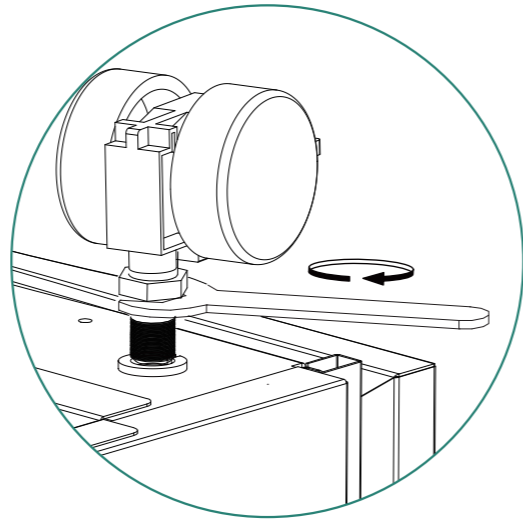
ⓑ2pcs



ⓔ2pcs

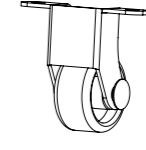


ⓓ1pc

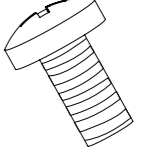


3

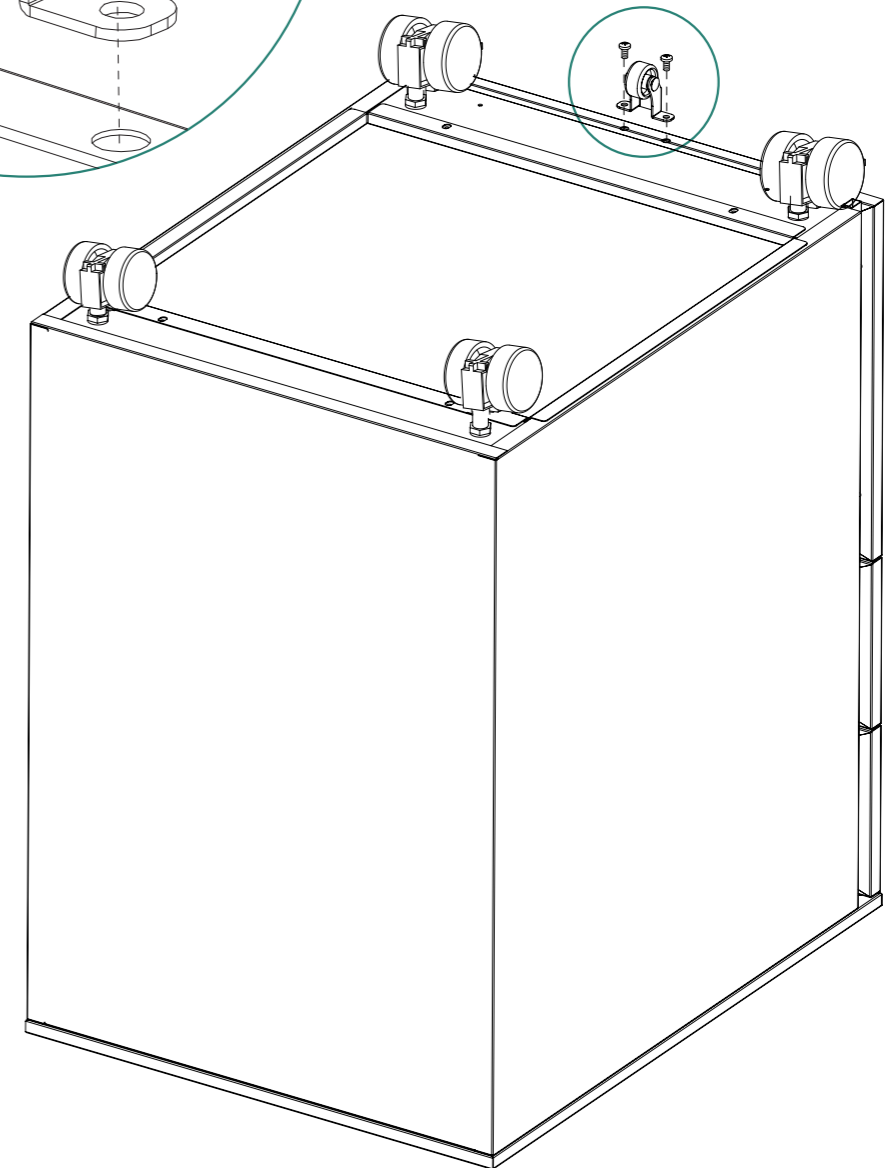
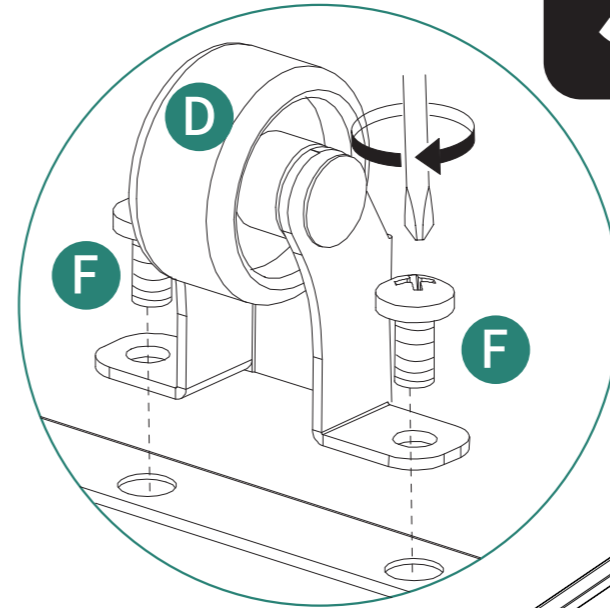
3



ⓓ1pc

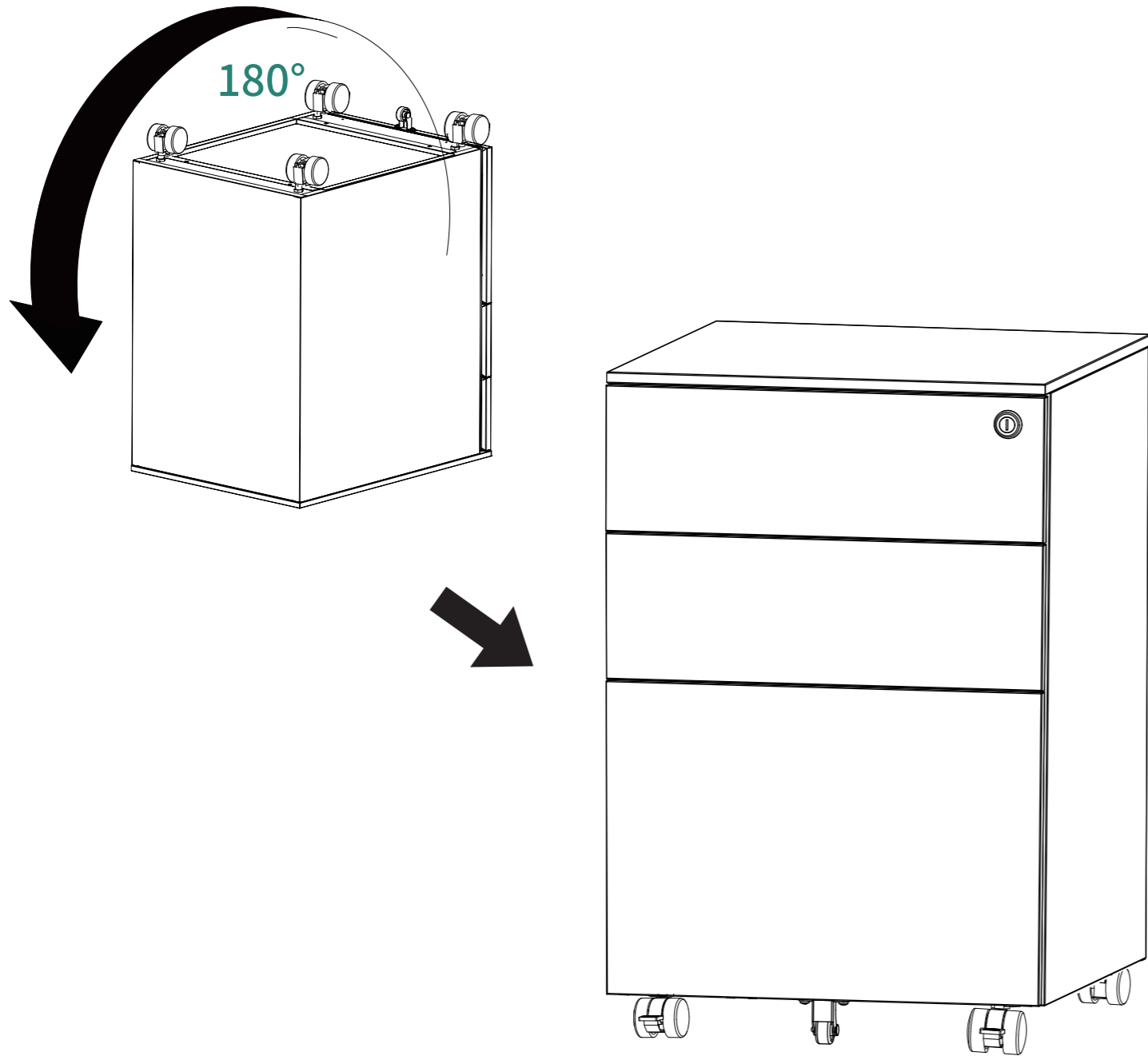


ⓕ2pcs



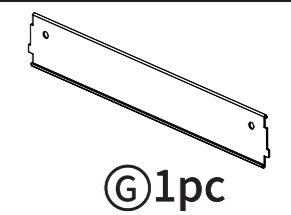
4

4

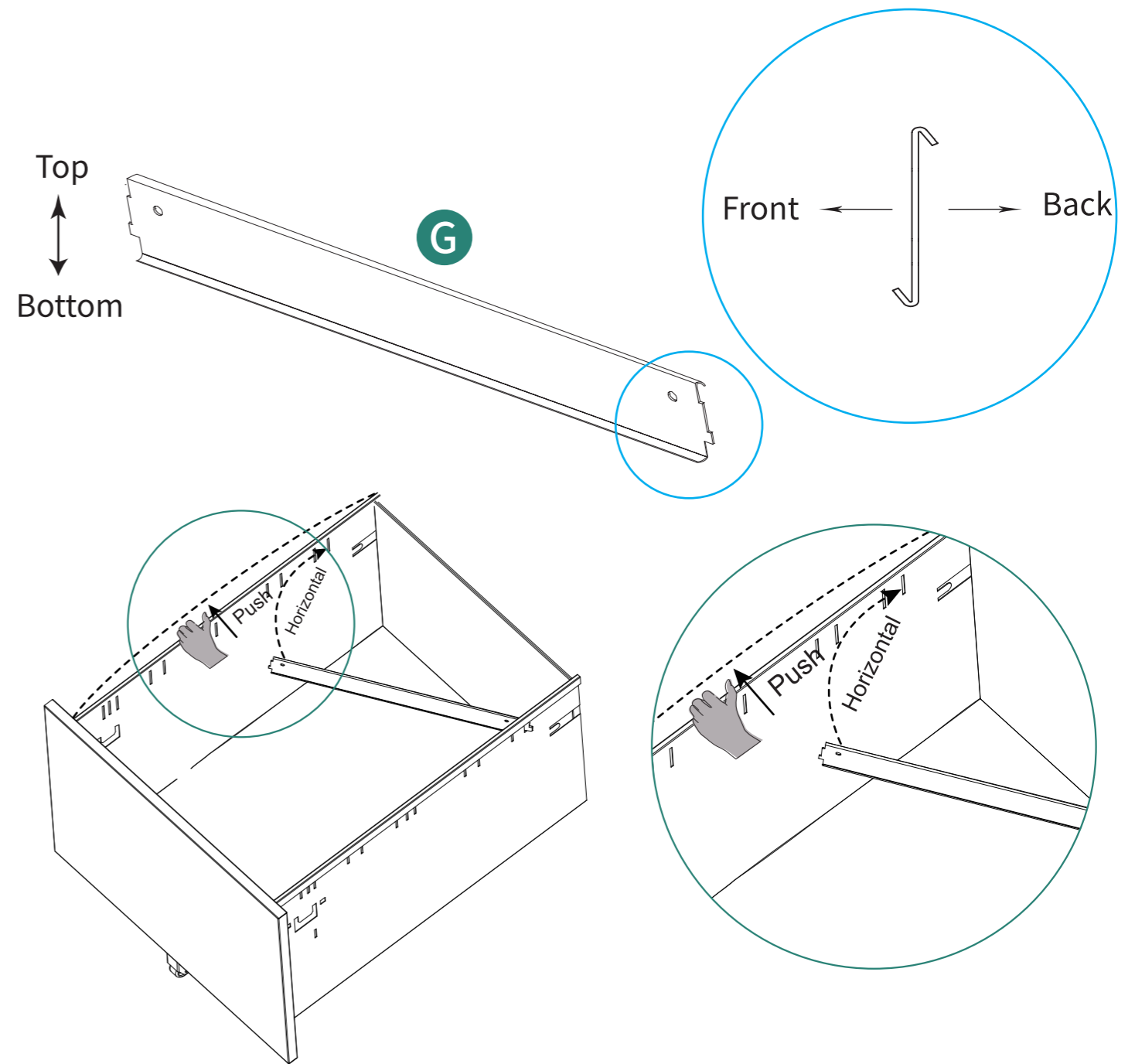


5

5



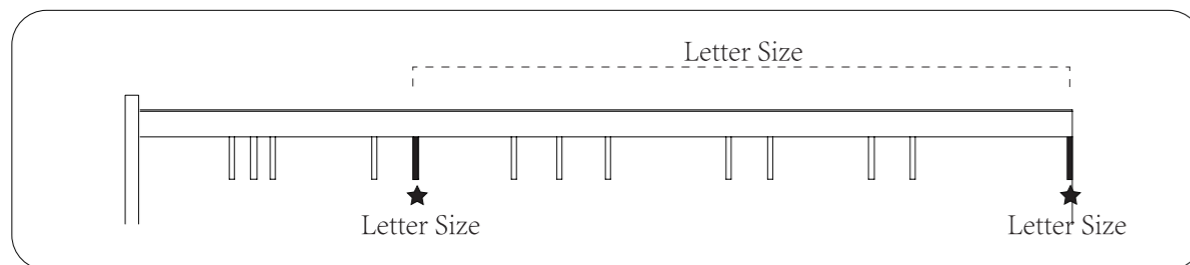
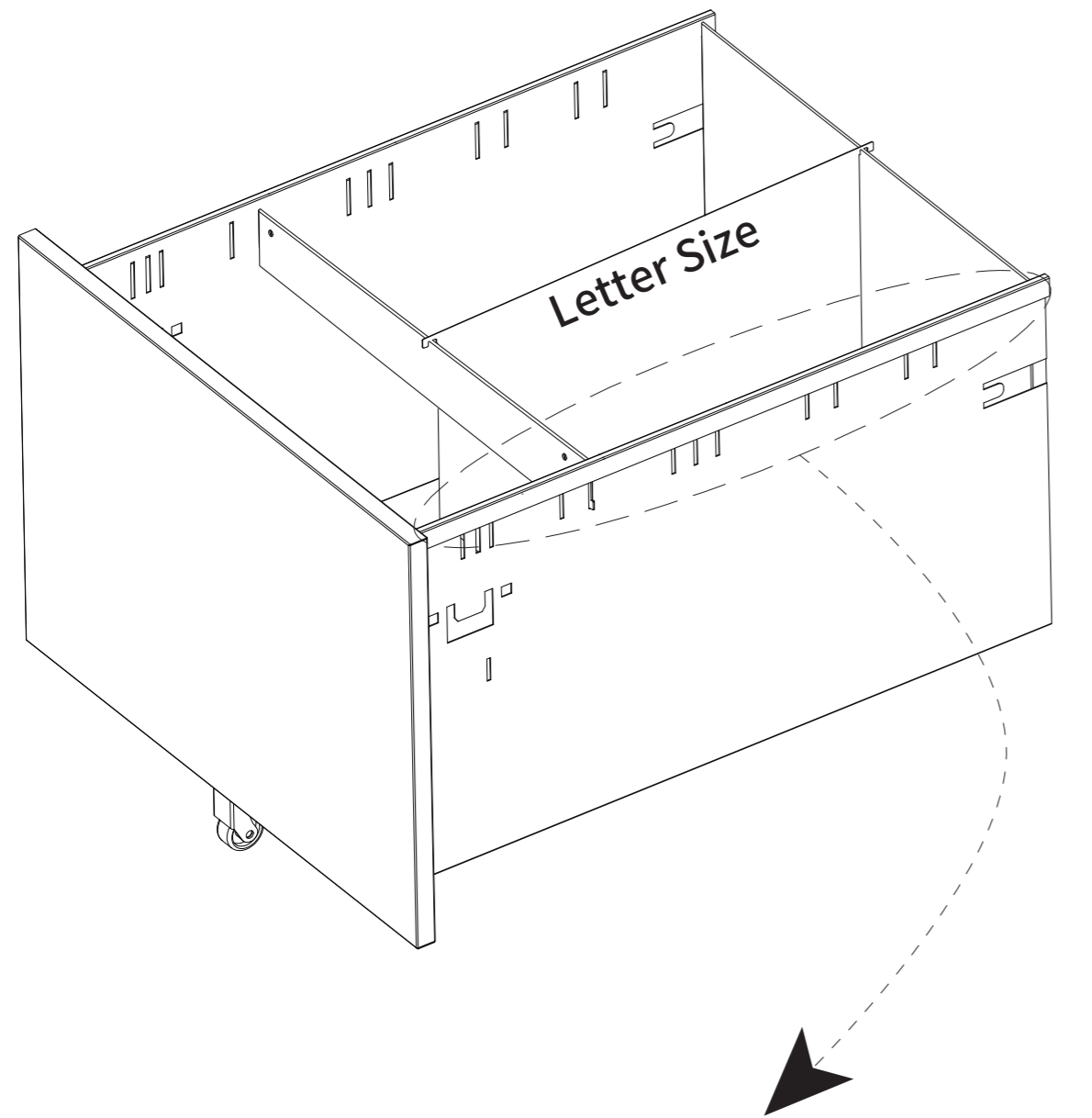
Follow the method below to install or adjust the hanging file bar.



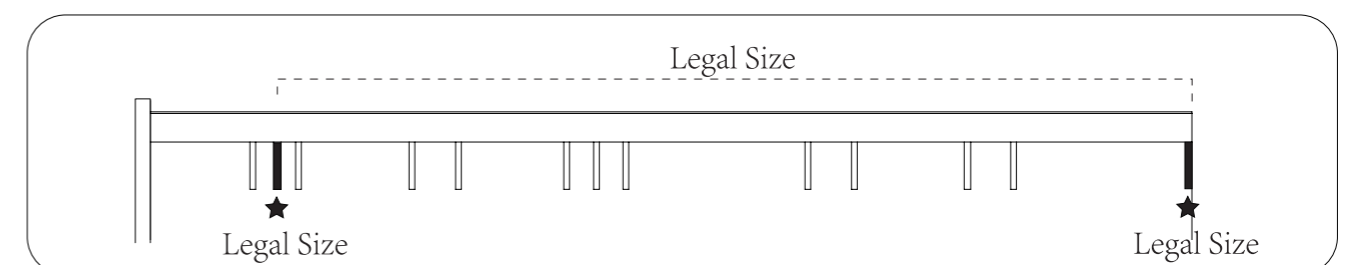
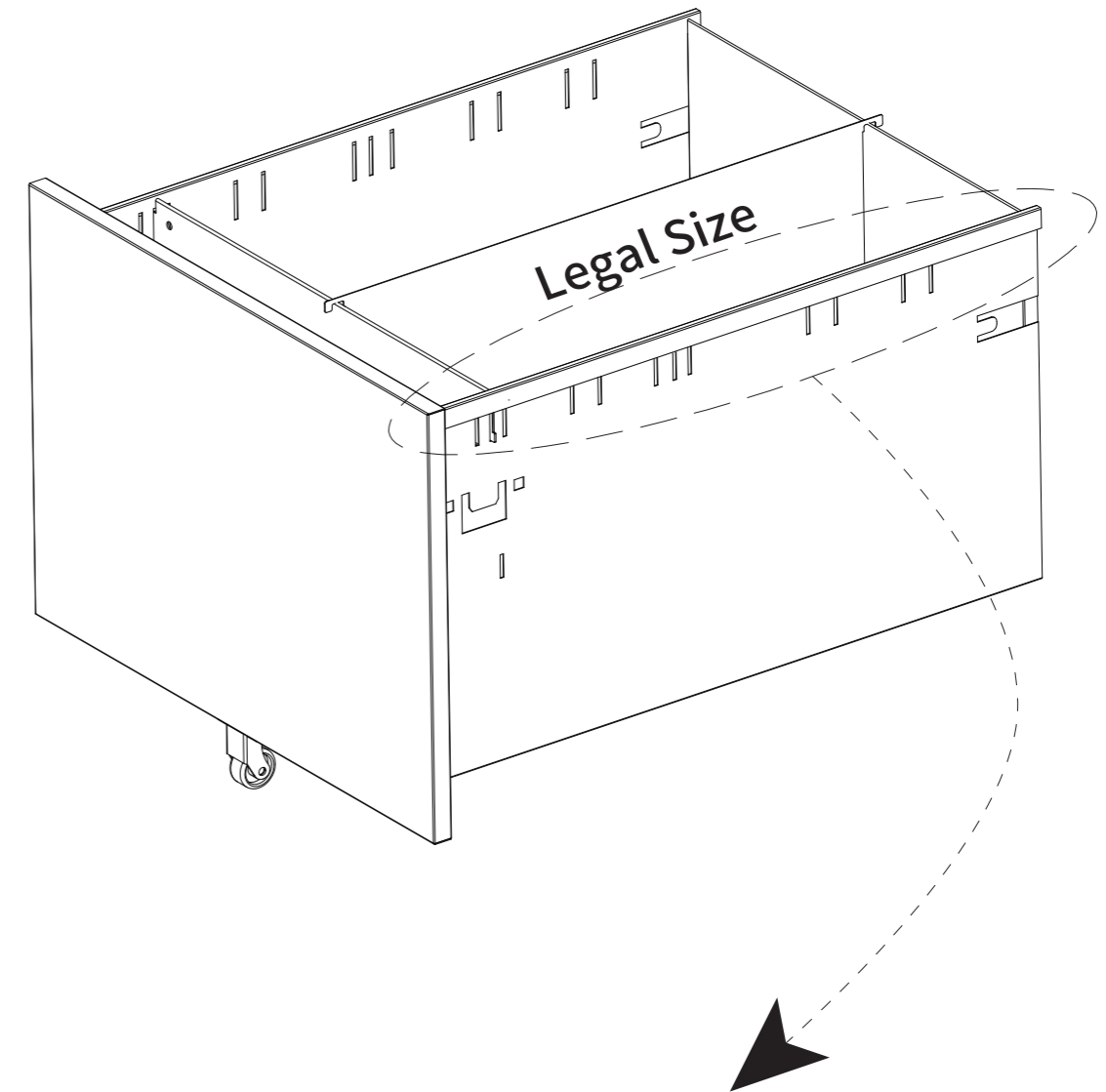
6

Instruction: 3 options available (Letter size , Legal size , A4 size)

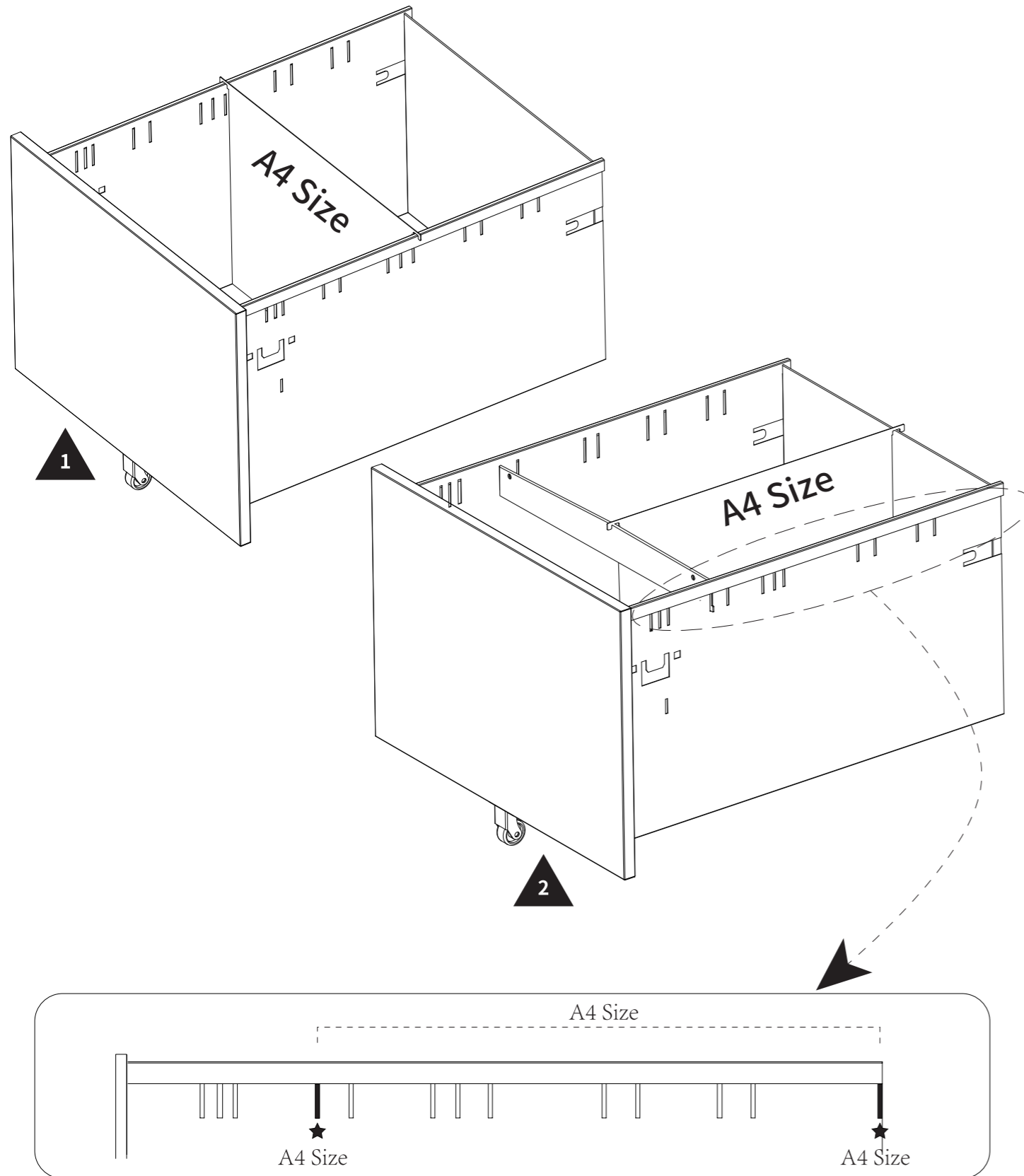
Hanging file bar position 1 – for Letter size file folders.



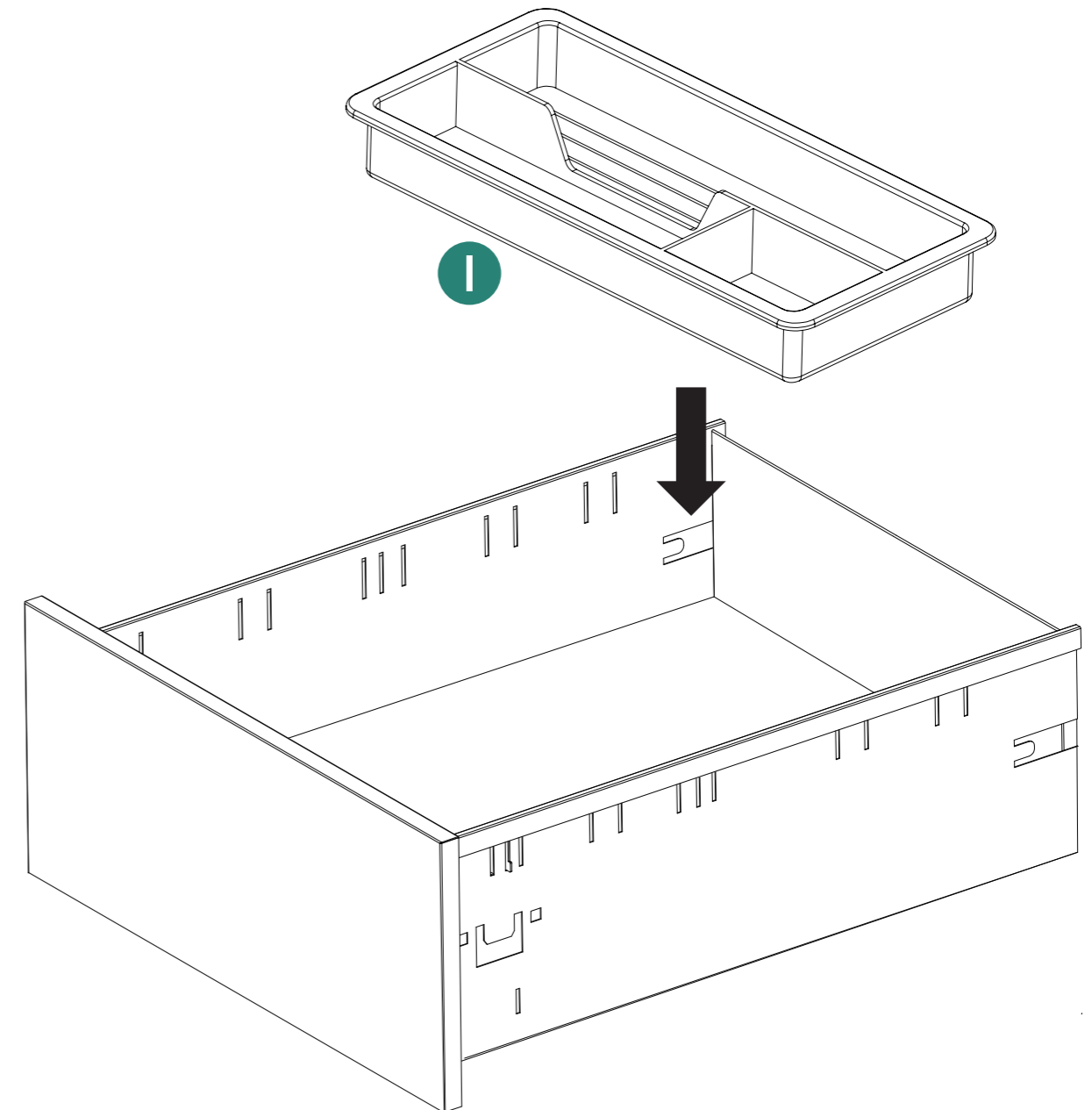
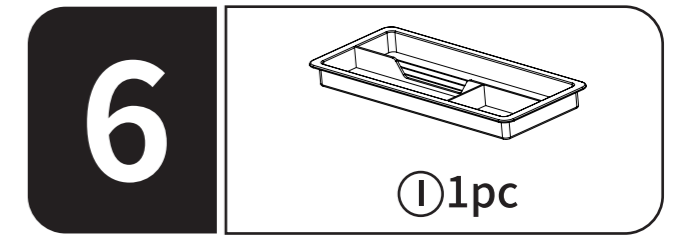
Hanging file bar position 2 – for Legal size file folders.



Hanging file bar position 3 – for A4 size file folders.



9



Complete Installation

10